










































SOMETHING IS DIFFERENT  
*LOOK INSIDE*



## INHALTSVERZEICHNIS CONTENTS

| <b>Puffer</b><br><i>Buffer</i>  |    | <b>Seite</b><br><i>Page</i> | <b>Tüllen</b><br><i>Grommets</i>  |    | <b>Seite</b><br><i>Page</i> |
|---|---|-----------------------------|---|---|-----------------------------|
| Anschraubpuffer<br><i>Screw-Type Buffer</i>   |    | 5                           | Kabeldurchführungen mit Radius<br><i>Cable Grommets with Radius</i>                 |    | 41-44                       |
| Puffer mit Zapfen<br><i>Buffer With Pin</i>   |    | 6-14                        | Kabeldurchführungen ohne Radius<br><i>Cable Grommets without Radius</i>             |    | 45-46                       |
| Puffer ohne Zapfen<br><i>Buffer Without Pin</i>   |    | 15-18                       | Kabeldurchführungen Sonderformen<br><i>Cable Grommets Special Form</i>              |    | 47                          |
| Puffer Sonderform<br><i>Buffer Special Form</i>   |    | 19                          | Kabeldurchführungen U-Form<br><i>Cable Grommets U-Shape</i>                         |    | 48                          |
| Softpuffer - Form 1<br><i>Softbuffer - Shape 1</i>  |    | 20                          | Knickschutztüllen<br><i>Bend Relief Grommets</i>                                    |    | 49                          |
| Softpuffer - Form 2<br><i>Softbuffer - Shape 2</i>  |    | 21                          | Langlochtülle<br><i>Oblong Grommet</i>  |    | 50                          |
| Softpuffer - Form 3<br><i>Softbuffer - Shape 3</i>  |    | 22                          | SNAP® Easy Tight<br><i>SNAP® Easy-Tight</i>   |    | 51-52                       |
| Softpuffer - Form 4<br><i>Softbuffer - Shape 4</i>  |   | 23                          | SNAP® Metric Light<br><i>SNAP® Metric Light</i>                                     |   | 53-54                       |
| Softpuffer - Form 5<br><i>Softbuffer - Shape 5</i>  |  | 24                          | SNAP® Metric Light Open<br><i>SNAP® Metric Light Open</i>                           |  | 55-56                       |
| Gummistopfen<br><i>Rubber Stops</i>   |  | 25-28                       | SNAP® PG<br><i>SNAP® PG</i>   |  | 57                          |
| <b>Stopfen</b><br><i>Plugs</i>  |   | <b>Seite</b><br><i>Page</i> | SNAP® PG Open<br><i>SNAP® PG Open</i>   |  | 58                          |
| Karosseriestopfen<br><i>Blanking Plug</i>   |  | 30-31                       | SNAP® Metric<br><i>SNAP® Metric</i>   |  | 59                          |
| Lamellenstopfen<br><i>Lamellar Plugs</i>  |  | 32-33                       | SNAP® Metric Open<br><i>SNAP® Metric Open</i>                                       |  | 60                          |
| Steckfuß<br><i>Rubber Stopper</i>   |  | 34                          | SNAP® Multiflex<br><i>SNAP® Multiflex</i>   |  | 61                          |
| Tüllenpuffer<br><i>Rubber Bumper</i>  |  | 35                          | SNAP® Multigate<br><i>SNAP® Multigate</i>   |  | 62                          |
| Abdeckkappen<br><i>Masking Caps</i>   |  | 36                          | SNAP® DNG<br><i>SNAP® DNG</i>   |  | 63                          |
| <b>Tüllen</b><br><i>Grommets</i>  |   | <b>Seite</b><br><i>Page</i> | Kabeldurchführungen Sonderformen<br><i>Cable Grommets Special Form</i>              |  | 64                          |
| Kabeldurchführung mit einseitigem Bund<br><i>Cable Grommets with one-sided Collar</i>           |  | 38                          | Kabeldurchführungen mit reduziertem Durchgang<br><i>Cable Grommets Special Form</i> |  | 65                          |
| Kabeldurchführung mit innenliegender Dichtlippe<br><i>Cable Grommet with inside Sealing Lip</i> |  | 39                          | Verschlussdüllen - Form 1<br><i>Sealing (Blanking) Plug - Shape 1</i>               |  | 66                          |
| Kabeldurchführungen mit asymmetrischem Bund<br><i>Cable Grommets with asymmetric Collar</i>     |  | 40                          | Verschlussdüllen - Form 2<br><i>Sealing (Blanking) Plug - Shape 2</i>               |  | 67                          |
|   |   |                             | Verschlussdüllen - Form 3<br><i>Sealing (Blanking) Plug - Shape 3</i>               |  | 68                          |



PUFFER  
*BUFFER*



## IHR PARTNER FÜR GUMMIKLEINTEILE

Die A. Vogt GmbH & Co. KG besteht seit 1946 und hat ihren Sitz in Arnsberg, Nordrhein-Westfalen. Das Unternehmen ist seit drei Generationen im Familienbesitz. Unser Produktionsprogramm besteht aus standardisierten Gummiformteilen sowie kundenspezifischen Gum-

miformteilen aus allen gängigen Elastomeren. Namhafte Hersteller der Automobil- und Elektroindustrie vertrauen ebenso auf Produkte von GUMMIVOGT wie viele weitere Kunden, insbesondere im Anlagen- und Maschinenbau. Unser Unternehmen verfügt über einen hauseigenen For-

men-, Werkzeug- und Anlagenbau. Das macht uns ausgesprochen flexibel für kundenspezifische Produktionswünsche und sichert die durchgängig höchste Qualität aller Produkte.

## YOUR PARTNER FOR SMALL RUBBER PARTS

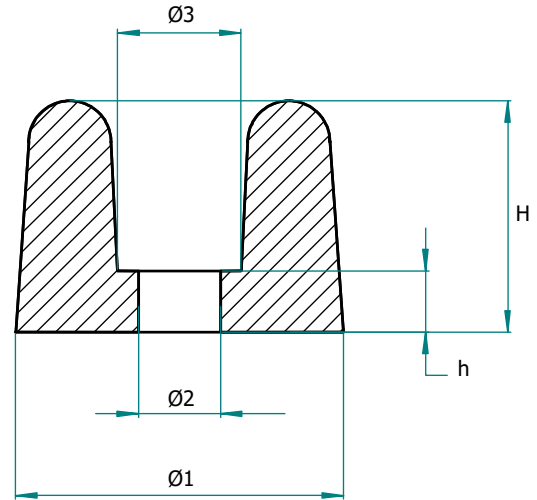
*A. Vogt GmbH & Co. KG has existed since 1946 and is based in the German town of Arnsberg, North Rhine-Westphalia. The company has been family-owned for three generations. Our product portfolio consists of standardised moulded rubber parts*

*as well as customer-specific moulded rubber parts made of all common elastomers. Well-known manufacturers in the automotive and electrical industries rely on GUMMIVOGT products, as do many other customers, especially in plant construction and*

*mechanical engineering. Our company has its own in-house mould, tool and plant construction department. This makes us extremely flexible for customer-specific production requirements and consistently ensures the highest quality of all products.*



**ANSCHRAUBPUFFER**  
*SCREW-TYPE BUFFER*



| Artikel Nr.<br><i>Part no.</i> | Gesamt Ø<br><i>Total Ø</i> | Sockelhöhe<br><i>Pedestal height</i> | Loch Ø<br><i>Hole Ø</i> | Gesamthöhe<br><i>Total height</i> | Innen Ø<br><i>Inner Ø</i> | Material<br><i>Material</i> |  |
|--------------------------------|----------------------------|--------------------------------------|-------------------------|-----------------------------------|---------------------------|-----------------------------|--|
|                                | Ø1                         | h                                    | Ø2                      | H                                 | Ø3                        |                             |  |
| 1743                           | 29,5                       | 10,0                                 | 4,0                     | 20,0                              | 7,8                       | EB                          |  |
| 1744                           | 22,0                       | 4,5                                  | 5,0                     | 11,0                              | 9,7                       | NR-SBR                      |  |
| 1745                           | 14,6                       | 3,0                                  | 5,2                     | 8,5                               | 10,0                      | NR-SBR                      |  |
| 1746                           | 13,5                       | 5,0                                  | 3,0                     | 9,5                               | 6,7                       | NR-SBR                      |  |
| 1747                           | 18,0                       | 4,5                                  | 4,6                     | 11,0                              | 9,3                       | NR-SBR                      |  |

**Information:**

EB = EPDM, schwarz ; NR-SBR = NR-SBR, schwarz

Toleranzen nach (DIN ISO 3302, Teil 2 M2F)  
Irrtum vorbehalten

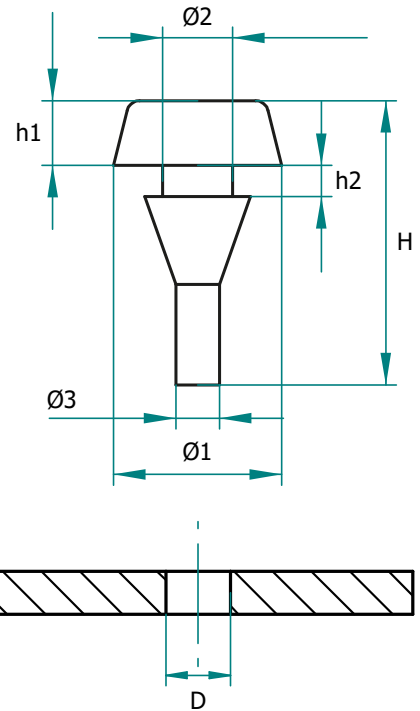
**Information:**

EB = EPDM, black ; NR-SBR = NR-SBR, black

General measuring tolerances (DIN ISO 3302, section 2 M2F)  
Errors excepted



**PUFFER MIT ZAPFEN**  
*BUFFER WITH PIN*



| Artikel Nr.<br><i>Part no.</i> | Kopf Ø<br><i>Head Ø</i> | Kopfhöhe<br><i>Head height</i> | Hals Ø<br><i>Neck Ø</i> | Spalt<br><i>Gap</i> | Zapfen Ø<br><i>Tap Ø</i> | Gesamthöhe<br><i>Total height</i> | Material<br><i>Material</i> |  |
|--------------------------------|-------------------------|--------------------------------|-------------------------|---------------------|--------------------------|-----------------------------------|-----------------------------|--|
|                                | Ø1                      | h1                             | Ø2                      | h2                  | Ø3                       | H                                 |                             |  |
| 1240                           | 7,8                     | 5,5                            | 4,0                     | 2,5                 | 3,0                      | 18,5                              | EB                          |  |
| 1241                           | 8,0                     | 6,0                            | 4,0                     | 3,0                 | 3,4                      | 19,0                              | EB                          |  |
| 1242                           | 4,7                     | 2,2                            | 2,3                     | 0,7                 | 2,0                      | 9,3                               | EB                          |  |
| 1243                           | 6,0                     | 3,1                            | 2,7                     | 0,7                 | 2,0                      | 10,3                              | EB                          |  |
| 1245                           | 4,8                     | 2,4                            | 2,8                     | 1,2                 | 2,0                      | 8,2                               | EB                          |  |
| 1249                           | 8,0                     | 5,3                            | 4,0                     | 2,4                 | 2,9                      | 17,9                              | EB                          |  |
| 1250                           | 8,0                     | 3,0                            | 3,2                     | 1,5                 | 2,0                      | 13,3                              | EB                          |  |

**Information:**

EB = EPDM, schwarz

Toleranzen nach (DIN ISO 3302, Teil 2 M2F)  
Irrtum vorbehalten

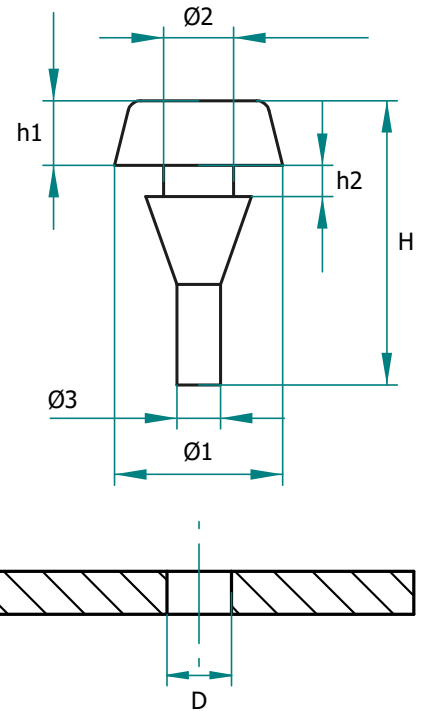
**Information:**

EB = EPDM, black

General measuring tolerances (DIN ISO 3302, section 2 M2F)  
Errors excepted



**PUFFER MIT ZAPFEN**  
*BUFFER WITH PIN*



| Artikel Nr.<br><i>Part no.</i> | Kopf Ø<br><i>Head Ø</i> | Kopfhöhe<br><i>Head height</i> | Hals Ø<br><i>Neck Ø</i> | Spalt<br><i>Gap</i> | Zapfen Ø<br><i>Tap Ø</i> | Gesamthöhe<br><i>Total height</i> | Material<br><i>Material</i> |  |
|--------------------------------|-------------------------|--------------------------------|-------------------------|---------------------|--------------------------|-----------------------------------|-----------------------------|--|
|                                | Ø1                      | h1                             | Ø2                      | h2                  | Ø3                       | H                                 |                             |  |
| 1252                           | 4,8                     | 4,0                            | 2,8                     | 1,2                 | 2,0                      | 11,0                              | EB                          |  |
| 1253                           | 5,5                     | 5,0                            | 2,5                     | 2,5                 | 1,8                      | 15,0                              | EB                          |  |
| 1256                           | 7,8                     | 5,5                            | 4,0                     | 2,5                 | 3,0                      | 37,8                              | EB                          |  |
| 1258                           | 7,0                     | 3,5                            | 3,7                     | 1,6                 | 3,2                      | 10,2                              | EB                          |  |
| 1259                           | 10,3                    | 8,4                            | 3,7                     | 0,6                 | 2,5                      | 17,3                              | EB                          |  |
| 1260                           | 8,0                     | 5,0                            | 3,2                     | 1,5                 | 2,1                      | 16,0                              | EB                          |  |
| 1261                           | 10,3                    | 7,2                            | 3,7                     | 0,7                 | 2,5                      | 16,2                              | EB                          |  |

**Information:**

EB = EPDM, schwarz

Toleranzen nach (DIN ISO 3302, Teil 2 M2F)  
Irrtum vorbehalten

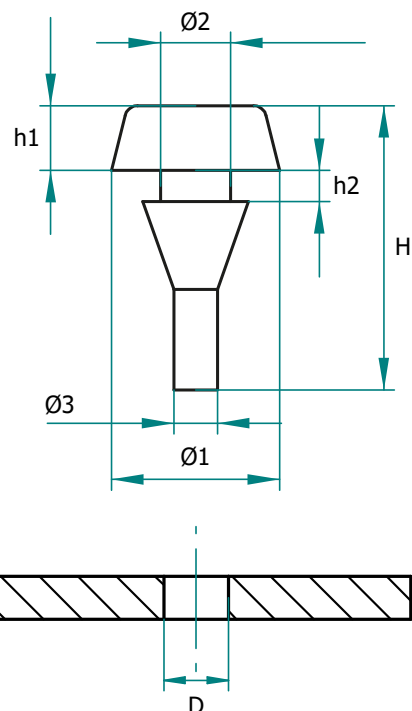
**Information:**

EB = EPDM, black

General measuring tolerances (DIN ISO 3302, section 2 M2F)  
Errors excepted



**PUFFER MIT ZAPFEN**  
*BUFFER WITH PIN*



| Artikel Nr.<br><i>Part no.</i> | Kopf Ø<br><i>Head Ø</i> | Kopfhöhe<br><i>Head height</i> | Hals Ø<br><i>Neck Ø</i> | Spalt<br><i>Gap</i> | Zapfen Ø<br><i>Tap Ø</i> | Gesamthöhe<br><i>Total height</i> | Material<br><i>Material</i> |  |
|--------------------------------|-------------------------|--------------------------------|-------------------------|---------------------|--------------------------|-----------------------------------|-----------------------------|--|
|                                | Ø1                      | h1                             | Ø2                      | h2                  | Ø3                       | H                                 |                             |  |
| 1262                           | 6,0                     | 4,1                            | 2,5                     | 1,5                 | 2,0                      | 10,5                              | EB                          |  |
| 1264                           | 10,3                    | 5,0                            | 3,7                     | 1,5                 | 2,6                      | 14,9                              | EB                          |  |
| 1265                           | 4,0                     | 2,4                            | 1,5                     | 1,2                 | 1,2                      | 7,5                               | EB                          |  |
| 1266                           | 6,0                     | 1,0                            | 3,0                     | 3,0                 | 2,5                      | 10,4                              | EB                          |  |
| 1267                           | 5,0                     | 1,5                            | 2,8                     | 1,2                 | 2,0                      | 13,3                              | EB                          |  |
| 1268                           | 7,0                     | 7,0                            | 2,8                     | 2,4                 | 2,1                      | 18,1                              | EB                          |  |
| 1269                           | 8,0                     | 7,0                            | 4,0                     | 2,5                 | 3,0                      | 19,7                              | EB                          |  |

**Information:**

EB = EPDM, schwarz

Toleranzen nach (DIN ISO 3302, Teil 2 M2F)  
Irrtum vorbehalten

**Information:**

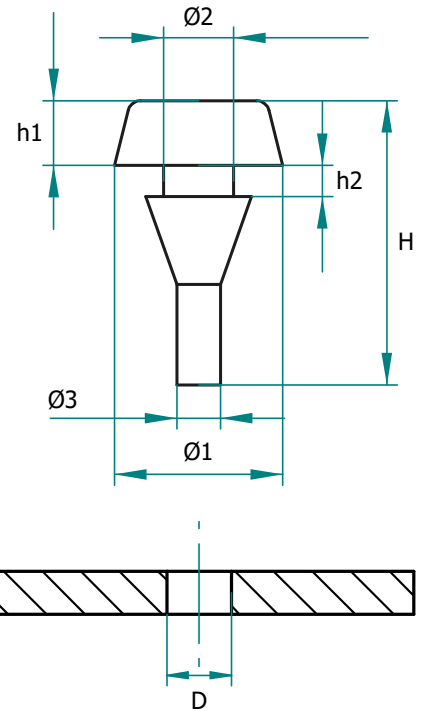
EB = EPDM, black

General measuring tolerances (DIN ISO 3302, section 2 M2F)  
Errors excepted





**PUFFER MIT ZAPFEN**  
*BUFFER WITH PIN*



| Artikel Nr.<br><i>Part no.</i> | Kopf Ø<br><i>Head Ø</i> | Kopfhöhe<br><i>Head height</i> | Hals Ø<br><i>Neck Ø</i> | Spalt<br><i>Gap</i> | Zapfen Ø<br><i>Tap Ø</i> | Gesamthöhe<br><i>Total height</i> | Material<br><i>Material</i> |  |
|--------------------------------|-------------------------|--------------------------------|-------------------------|---------------------|--------------------------|-----------------------------------|-----------------------------|--|
|                                | Ø1                      | h1                             | Ø2                      | h2                  | Ø3                       | H                                 |                             |  |
| 1270                           | 8,0                     | 4,8                            | 4,0                     | 2,5                 | 3,0                      | 17,5                              | EB                          |  |
| 1271                           | 5,0                     | 1,5                            | 2,8                     | 1,2                 | 2,0                      | 7,3                               | EB                          |  |
| 1272                           | 5,0                     | 1,8                            | 2,8                     | 1,5                 | 2,0                      | 13,3                              | EB                          |  |
| 1273                           | 8,7                     | 5,0                            | 3,6                     | 1,4                 | 2,6                      | 15,1                              | EB                          |  |
| 1274                           | 10,0                    | 6,8                            | 4,0                     | 1,4                 | 3,0                      | 18,3                              | EB                          |  |
| 1275                           | 7,0                     | 7,0                            | 3,5                     | 2,5                 | 3,0                      | 17,0                              | EB                          |  |
| 1276                           | 5,0                     | 1,8                            | 3,0                     | 1,5                 | 2,0                      | 13,3                              | EB                          |  |

**Information:**

EB = EPDM, schwarz

Toleranzen nach (DIN ISO 3302, Teil 2 M2F)  
Irrtum vorbehalten

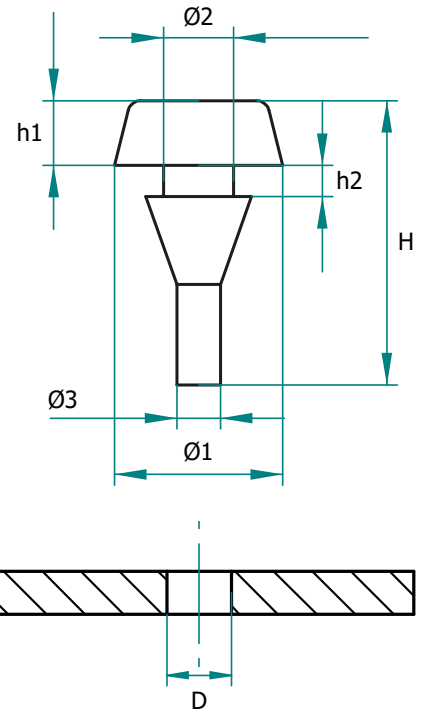
**Information:**

EB = EPDM, black

General measuring tolerances (DIN ISO 3302, section 2 M2F)  
Errors excepted



**PUFFER MIT ZAPFEN**  
*BUFFER WITH PIN*



| Artikel Nr.<br><i>Part no.</i> | Kopf Ø<br><i>Head Ø</i> | Kopfhöhe<br><i>Head height</i> | Hals Ø<br><i>Neck Ø</i> | Spalt<br><i>Gap</i> | Zapfen Ø<br><i>Tap Ø</i> | Gesamthöhe<br><i>Total height</i> | Material<br><i>Material</i> |  |
|--------------------------------|-------------------------|--------------------------------|-------------------------|---------------------|--------------------------|-----------------------------------|-----------------------------|--|
|                                | Ø1                      | h1                             | Ø2                      | h2                  | Ø3                       | H                                 |                             |  |
| 1277                           | 7,0                     | 3,5                            | 3,7                     | 3,0                 | 3,2                      | 11,5                              | EB                          |  |
| 1278                           | 6,5                     | 4,7                            | 2,3                     | 0,6                 | 2,0                      | 12,2                              | EB                          |  |
| 1281                           | 8,0                     | 7,0                            | 4,0                     | 2,0                 | 3,0                      | 16,7                              | EB                          |  |
| 1282                           | 6,7                     | 6,0                            | 3,2                     | 2,0                 | 3,0                      | 16,1                              | EB                          |  |
| 1283                           | 8,0                     | 2,0                            | 4,0                     | 2,5                 | 3,0                      | 14,7                              | EB                          |  |
| 1284                           | 8,0                     | 3,2                            | 3,5                     | 1,2                 | 2,4                      | 9,7                               | EB                          |  |
| 1285                           | 7,0                     | 3,2                            | 3,8                     | 1,0                 | 2,0                      | 9,3                               | EB                          |  |

**Information:**

EB = EPDM, schwarz

Toleranzen nach (DIN ISO 3302, Teil 2 M2F)  
Irrtum vorbehalten

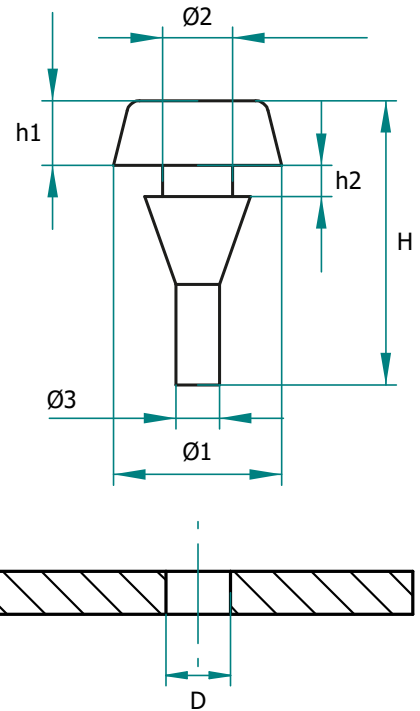
**Information:**

EB = EPDM, black

General measuring tolerances (DIN ISO 3302, section 2 M2F)  
Errors excepted



**PUFFER MIT ZAPFEN**  
*BUFFER WITH PIN*



| Artikel Nr.<br><i>Part no.</i> | Kopf Ø<br><i>Head Ø</i> | Kopfhöhe<br><i>Head height</i> | Hals Ø<br><i>Neck Ø</i> | Spalt<br><i>Gap</i> | Zapfen Ø<br><i>Tap Ø</i> | Gesamthöhe<br><i>Total height</i> | Material<br><i>Material</i> |  |
|--------------------------------|-------------------------|--------------------------------|-------------------------|---------------------|--------------------------|-----------------------------------|-----------------------------|--|
|                                | Ø1                      | h1                             | Ø2                      | h2                  | Ø3                       | H                                 |                             |  |
| 1286                           | 3,0                     | 1,0                            | 1,5                     | 2,0                 | 1,0                      | 7,0                               | EB                          |  |
| 1287                           | 7,8                     | 2,3                            | 3,5                     | 1,0                 | 2,2                      | 8,8                               | EB                          |  |
| 1288                           | 8,0                     | 4,0                            | 3,5                     | 1,0                 | 2,3                      | 11,0                              | EB                          |  |
| 1290                           | 7,0                     | 3,0                            | 3,7                     | 3,0                 | 3,1                      | 12,7                              | EB                          |  |
| 1291                           | 7,0                     | 3,2                            | 3,8                     | 1,0                 | 2,0                      | 15,5                              | EB                          |  |
| 1295                           | 7,0                     | 2,5                            | 3,7                     | 3,0                 | 3,1                      | 12,2                              | EB                          |  |
| 1296                           | 8,0                     | 2,6                            | 3,2                     | 1,5                 | 2,1                      | 12,9                              | EB                          |  |

**Information:**

EB = EPDM, schwarz

Toleranzen nach (DIN ISO 3302, Teil 2 M2F)  
Irrtum vorbehalten

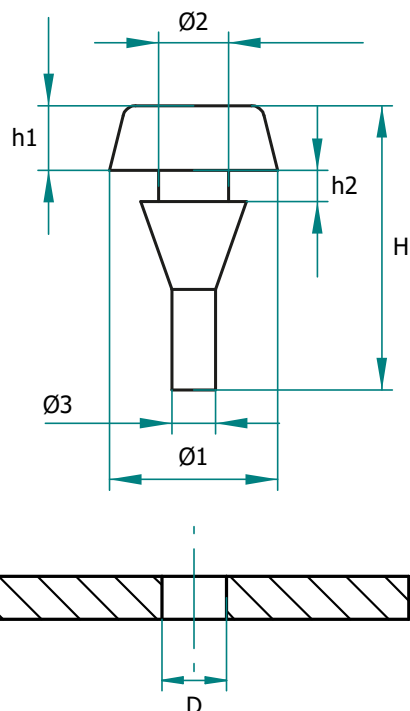
**Information:**

EB = EPDM, black

General measuring tolerances (DIN ISO 3302, section 2 M2F)  
Errors excepted



**PUFFER MIT ZAPFEN**  
*BUFFER WITH PIN*



| Artikel Nr.<br><i>Part no.</i> | Kopf Ø<br><i>Head Ø</i> | Kopfhöhe<br><i>Head height</i> | Hals Ø<br><i>Neck Ø</i> | Spalt<br><i>Gap</i> | Zapfen Ø<br><i>Tap Ø</i> | Gesamthöhe<br><i>Total height</i> | Material<br><i>Material</i> |  |
|--------------------------------|-------------------------|--------------------------------|-------------------------|---------------------|--------------------------|-----------------------------------|-----------------------------|--|
|                                | Ø1                      | h1                             | Ø2                      | h2                  | Ø3                       | H                                 |                             |  |
| 1300                           | 10,0                    | 4,0                            | 5,5                     | 1,0                 | 3,1                      | 14,5                              | EB                          |  |
| 1301                           | 10,0                    | 4,0                            | 5,5                     | 2,0                 | 3,1                      | 15,4                              | EB                          |  |
| 1304                           | 8,5                     | 2,0                            | 5,0                     | 3,0                 | 3,0                      | 10,9                              | EB                          |  |
| 1317                           | 14,0                    | 5,0                            | 7,5                     | 1,3                 | 5,0                      | 16,5                              | EB                          |  |
| 1320                           | 12,0                    | 4,5                            | 4,0                     | 2,5                 | 3,0                      | 18,4                              | EB                          |  |
| 1321                           | 7,8                     | 6,5                            | 4,1                     | 2,5                 | 3,1                      | 19,5                              | EB                          |  |
| 1326                           | 6,0                     | 3,0                            | 2,5                     | 2,5                 | 1,7                      | 10,5                              | EB                          |  |

**Information:**

EB = EPDM, schwarz

Toleranzen nach (DIN ISO 3302, Teil 2 M2F)  
Irrtum vorbehalten

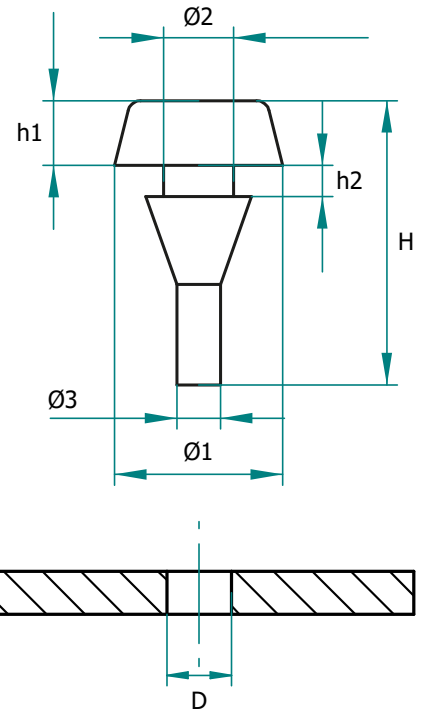
**Information:**

EB = EPDM, black

General measuring tolerances (DIN ISO 3302, section 2 M2F)  
Errors excepted



**PUFFER MIT ZAPFEN**  
*BUFFER WITH PIN*



| Artikel Nr.<br><i>Part no.</i> | Kopf Ø<br><i>Head Ø</i> | Kopfhöhe<br><i>Head height</i> | Hals Ø<br><i>Neck Ø</i> | Spalt<br><i>Gap</i> | Zapfen Ø<br><i>Tap Ø</i> | Gesamthöhe<br><i>Total height</i> | Material<br><i>Material</i> |  |
|--------------------------------|-------------------------|--------------------------------|-------------------------|---------------------|--------------------------|-----------------------------------|-----------------------------|--|
|                                | Ø1                      | h1                             | Ø2                      | h2                  | Ø3                       | H                                 |                             |  |
| 1329                           | 8,0                     | 2,5                            | 3,5                     | 1,2                 | 2,2                      | 9,4                               | EB                          |  |
| 1336                           | 13,0                    | 4,7                            | 6,0                     | 1,5                 | 4,8                      | 13,8                              | EB                          |  |
| 1337                           | 13,0                    | 7,5                            | 4,6                     | 1,2                 | 4,5                      | 20,0                              | EB                          |  |
| 1338                           | 14,2                    | 8,7                            | 6,0                     | 1,5                 | 4,0                      | 25,6                              | EB                          |  |
| 1339                           | 13,0                    | 6,5                            | 6,0                     | 1,5                 | 4,8                      | 15,8                              | EB                          |  |
| 1340                           | 13,0                    | 7,0                            | 6,0                     | 2,5                 | 4,8                      | 19,0                              | EB                          |  |
| 1341                           | 17,5                    | 13,3                           | 8,0                     | 0,8                 | 3,9                      | 25,2                              | EB                          |  |

**Information:**  
EB = EPDM, schwarz

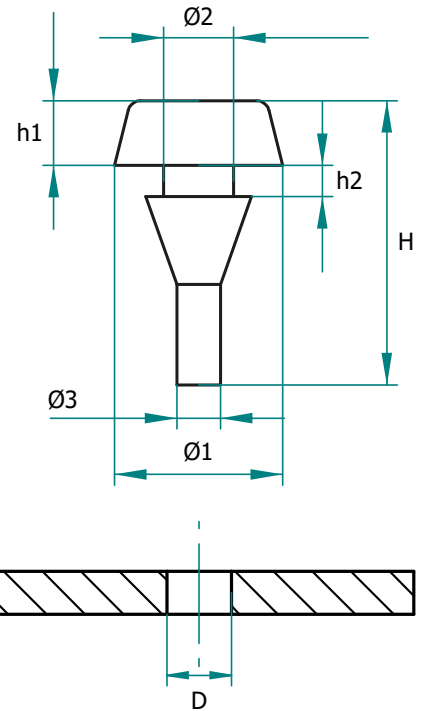
Toleranzen nach (DIN ISO 3302, Teil 2 M2F)  
Irrtum vorbehalten



**Information:**  
EB = EPDM, black

General measuring tolerances (DIN ISO 3302, section 2 M2F)  
Errors excepted



PUFFER MIT ZAPFEN  
*BUFFER WITH PIN*



| Artikel Nr.<br><i>Part no.</i> | Kopf Ø<br><i>Head Ø</i> | Kopfhöhe<br><i>Head height</i> | Hals Ø<br><i>Neck Ø</i> | Spalt<br><i>Gap</i> | Zapfen Ø<br><i>Tap Ø</i> | Gesamthöhe<br><i>Total height</i> | Material<br><i>Material</i> |   |
|--------------------------------|-------------------------|--------------------------------|-------------------------|---------------------|--------------------------|-----------------------------------|-----------------------------|---|
|                                | Ø1                      | h1                             | Ø2                      | h2                  | Ø3                       | H                                 |                             |   |
| 1343                           | 13,0                    | 12,0                           | 5,5                     | 3,0                 | 4,4                      | 26,2                              | EB                          |  |
| 1344                           | 14,2                    | 6,5                            | 6,0                     | 1,9                 | 4,0                      | 23,4                              | EB                          |  |

**Information:**

EB = EPDM, schwarz

Toleranzen nach (DIN ISO 3302, Teil 2 M2F)  
Irrtum vorbehalten

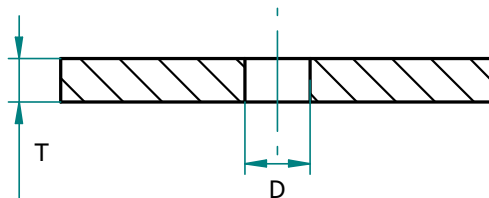
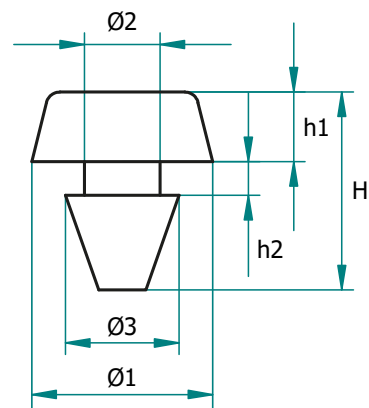
**Information:**

EB = EPDM, black

General measuring tolerances (DIN ISO 3302, section 2 M2F)  
Errors excepted



**PUFFER OHNE ZAPFEN**  
*BUFFER WITHOUT PIN*



| Artikel Nr.<br><i>Part no.</i> | Kopf Ø<br><i>Head Ø</i> | Kopfhöhe<br><i>Head height</i> | Hals Ø<br><i>Neck Ø</i> | Spalt<br><i>Gap</i> | Konus Ø<br><i>Cone Ø</i> | Gesamthöhe<br><i>Total height</i> | Material<br><i>Material</i> |  |
|--------------------------------|-------------------------|--------------------------------|-------------------------|---------------------|--------------------------|-----------------------------------|-----------------------------|--|
|                                | Ø1                      | h1                             | Ø2                      | h2                  | Ø3                       | H                                 |                             |  |
| 1244                           | 6,0                     | 1,8                            | 3,0                     | 1,7                 | 5,0                      | 5,4                               | EB                          |  |
| 1246                           | 6,0                     | 2,1                            | 3,0                     | 2,2                 | 5,0                      | 7,6                               | EB                          |  |
| 1298                           | 13,0                    | 3,5                            | 5,0                     | 1,5                 | 7,0                      | 12,0                              | EB                          |  |
| 1299                           | 9,0                     | 5,0                            | 5,0                     | 1,5                 | 7,0                      | 13,6                              | EB                          |  |
| 1303                           | 9,8                     | 2,0                            | 5,6                     | 2,5                 | 7,5                      | 9,5                               | EB                          |  |
| 1306                           | 9,0                     | 1,0                            | 4,5                     | 2,2                 | 5,5                      | 7,5                               | EB                          |  |
| 1308                           | 9,0                     | 2,1                            | 4,5                     | 2,2                 | 5,5                      | 8,6                               | EB                          |  |

**Information:**

EB = EPDM, schwarz

Toleranzen nach (DIN ISO 3302, Teil 2 M2F)  
Irrtum vorbehalten

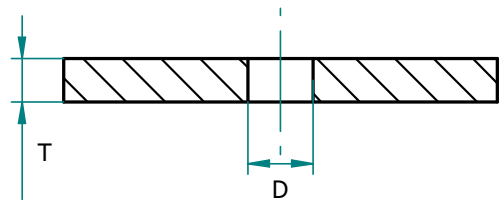
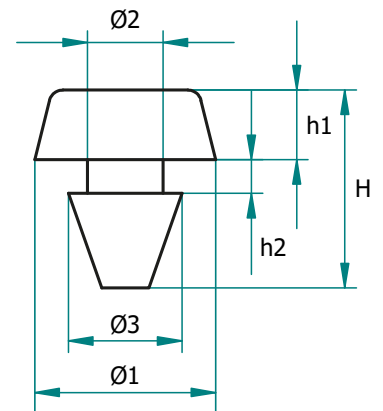
**Information:**

EB = EPDM, black

General measuring tolerances (DIN ISO 3302, section 2 M2F)  
Errors excepted



**PUFFER OHNE ZAPFEN**  
*BUFFER WITHOUT PIN*



| Artikel Nr.<br><i>Part no.</i> | Kopf Ø<br><i>Head Ø</i> | Kopfhöhe<br><i>Head height</i> | Hals Ø<br><i>Neck Ø</i> | Spalt<br><i>Gap</i> | Konus Ø<br><i>Cone Ø</i> | Gesamthöhe<br><i>Total height</i> | Material<br><i>Material</i> |  |
|--------------------------------|-------------------------|--------------------------------|-------------------------|---------------------|--------------------------|-----------------------------------|-----------------------------|--|
|                                | Ø1                      | h1                             | Ø2                      | h2                  | Ø3                       | H                                 |                             |  |
| 1309                           | 10,0                    | 3,2                            | 6,4                     | 1,1                 | 7,8                      | 6,5                               | EB                          |  |
| 1310                           | 9,5                     | 2,5                            | 4,5                     | 1,2                 | 7,5                      | 7,7                               | EB                          |  |
| 1311                           | 9,8                     | 3,0                            | 5,6                     | 2,5                 | 7,5                      | 10,5                              | EB                          |  |
| 1312                           | 12,0                    | 2,0                            | 5,0                     | 2,0                 | 6,5                      | 6,0                               | EB                          |  |
| 1313                           | 11,8                    | 5,5                            | 5,5                     | 2,9                 | 7,4                      | 11,0                              | EB                          |  |
| 1314                           | 12,0                    | 4,2                            | 6,0                     | 3,0                 | 10,0                     | 9,3                               | EB                          |  |
| 1315                           | 14,0                    | 5,0                            | 7,5                     | 2,0                 | 10,0                     | 12,1                              | EB                          |  |

**Information:**

EB = EPDM, schwarz

Toleranzen nach (DIN ISO 3302, Teil 2 M2F)  
Irrtum vorbehalten

**Information:**

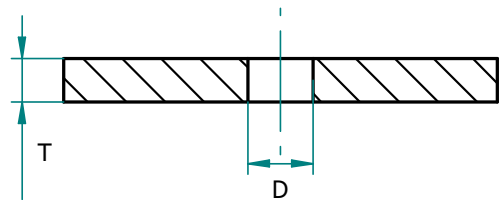
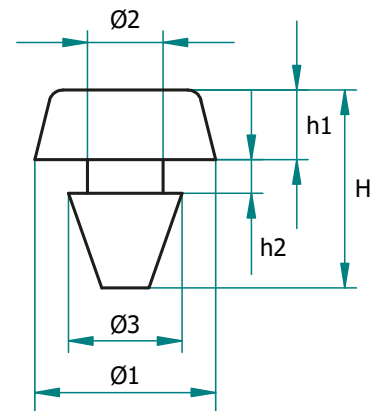
EB = EPDM, black

General measuring tolerances (DIN ISO 3302, section 2 M2F)  
Errors excepted





PUFFER OHNE ZAPFEN  
*BUFFER WITHOUT PIN*



| Artikel Nr.<br><i>Part no.</i> | Kopf Ø<br><i>Head Ø</i> | Kopfhöhe<br><i>Head height</i> | Hals Ø<br><i>Neck Ø</i> | Spalt<br><i>Gap</i> | Konus Ø<br><i>Cone Ø</i> | Gesamthöhe<br><i>Total height</i> | Material<br><i>Material</i> |  |
|--------------------------------|-------------------------|--------------------------------|-------------------------|---------------------|--------------------------|-----------------------------------|-----------------------------|--|
|                                | Ø1                      | h1                             | Ø2                      | h2                  | Ø3                       | H                                 |                             |  |
| 1316                           | 14,0                    | 5,0                            | 7,5                     | 1,5                 | 10,0                     | 11,1                              | EB                          |  |
| 1318                           | 13,0                    | 3,0                            | 7,0                     | 1,5                 | 9,0                      | 9,7                               | EB                          |  |
| 1319                           | 12,5                    | 3,0                            | 6,0                     | 2,0                 | 8,3                      | 12,0                              | EB                          |  |
| 1322                           | 9,5                     | 2,5                            | 5,5                     | 1,2                 | 7,5                      | 7,7                               | EB                          |  |
| 1323                           | 12,0                    | 5,5                            | 5,5                     | 5,0                 | 7,3                      | 13,1                              | EB                          |  |
| 1325                           | 7,0                     | 3,5                            | 5,2                     | 1,4                 | 7,8                      | 6,9                               | EB                          |  |
| 1330                           | 5,5                     | 7,0                            | 3,5                     | 2,5                 | 5,5                      | 12,5                              | EB                          |  |

**Information:**

EB = EPDM, schwarz

Toleranzen nach (DIN ISO 3302, Teil 2 M2F)  
Irrtum vorbehalten

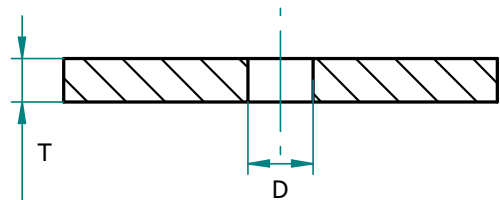
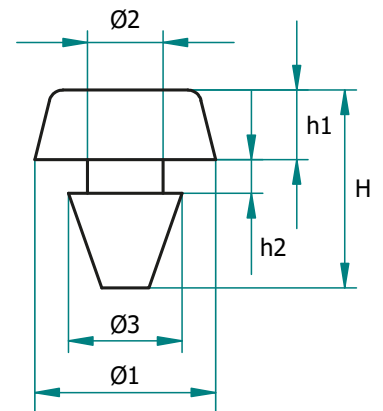
**Information:**

EB = EPDM, black

General measuring tolerances (DIN ISO 3302, section 2 M2F)  
Errors excepted



**PUFFER OHNE ZAPFEN**  
*BUFFER WITHOUT PIN*



| Artikel Nr.<br><i>Part no.</i> | Kopf Ø<br><i>Head Ø</i> | Kopfhöhe<br><i>Head height</i> | Hals Ø<br><i>Neck Ø</i> | Spalt<br><i>Gap</i> | Konus Ø<br><i>Cone Ø</i> | Gesamthöhe<br><i>Total height</i> | Material<br><i>Material</i> |  |
|--------------------------------|-------------------------|--------------------------------|-------------------------|---------------------|--------------------------|-----------------------------------|-----------------------------|--|
|                                | Ø1                      | h1                             | Ø2                      | h2                  | Ø3                       | H                                 |                             |  |
| 1332                           | 9,5                     | 2,7                            | 5,8                     | 2,0                 | 8,0                      | 7,0                               | EB                          |  |
| 1334                           | 11,7                    | 4,5                            | 7,8                     | 2,0                 | 10,0                     | 9,4                               | EB                          |  |
| 1345                           | 15,0                    | 5,0                            | 10,2                    | 1,5                 | 13,0                     | 9,6                               | EB                          |  |
| 1346                           | 7,8                     | 7,0                            | 4,0                     | 5,0                 | 4,8                      | 14,2                              | EB                          |  |
| 1347                           | 7,5                     | 4,1                            | 4,0                     | 6,3                 | 5,0                      | 12,6                              | EB                          |  |
| 1350                           | 7,4                     | 2,5                            | 3,5                     | 2,5                 | 5,7                      | 7,0                               | EB                          |  |

**Information:**

EB = EPDM, schwarz

Toleranzen nach (DIN ISO 3302, Teil 2 M2F)  
Irrtum vorbehalten

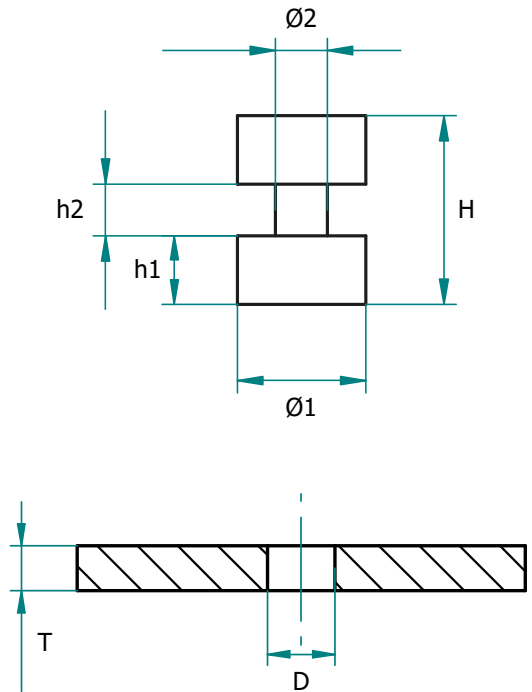
**Information:**

EB = EPDM, black

General measuring tolerances (DIN ISO 3302, section 2 M2F)  
Errors excepted



PUFFER SONDERFORM  
*BUFFER SPECIAL FORM*



| Artikel Nr.<br><i>Part no.</i> | Kopf Ø<br><i>Head Ø</i> | Kopfhöhe<br><i>Head height</i> | Hals Ø<br><i>Neck Ø</i> | Spalt<br><i>Gap</i> | Gesamthöhe<br><i>Total height</i> | Material<br><i>Material</i> |  |
|--------------------------------|-------------------------|--------------------------------|-------------------------|---------------------|-----------------------------------|-----------------------------|--|
|                                | Ø1                      | h1                             | Ø2                      | h2                  | H                                 |                             |  |
| 1294                           | 3,7                     | 2,0                            | 2,5                     | 1,5                 | 5,5                               | EB                          |  |
| 1328                           | 5,2                     | 1,5                            | 3,0                     | 2,4                 | 5,4                               | EB                          |  |

**Information:**

EB = EPDM, schwarz

Toleranzen nach (DIN ISO 3302, Teil 2 M2F)  
Irrtum vorbehalten

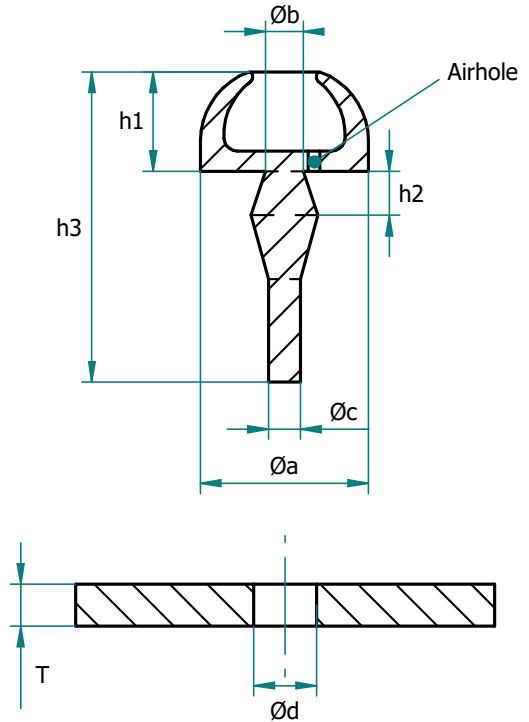
**Information:**



EB = EPDM, black

General measuring tolerances (DIN ISO 3302, section 2 M2F)  
Errors excepted



SOFTPUFFER - FORM 1  
SOFTBUFFER - SHAPE 1



| Artikel Nr.<br><i>Part no.</i> | Kopf $\varnothing$<br><i>Head <math>\varnothing</math></i> | Kopfhöhe<br><i>Head height</i> | Hals $\varnothing$<br><i>Neck <math>\varnothing</math></i> | Spalt<br><i>Gap</i> | Zapfen $\varnothing$<br><i>Tap <math>\varnothing</math></i> | Gesamthöhe<br><i>Total height</i> |                 | Federweg<br><i>pitch of spring</i> | T/D<br><i>T/D</i> | T/D<br><i>T/D</i> | Material<br><i>Material</i> |   |
|--------------------------------|--|--------------------------------|--|---------------------|---|-----------------------------------|-----------------|------------------------------------|-------------------|-------------------|-----------------------------|---|
|                                | a  | h1                             | b  | h2                  | $\varnothing c$   | h3                                | $\varnothing d$ |                                    |                   |                   |                             |   |
| 1279                           | 10,0   | 6,0                            | 2,5  | 1 - 2,5             | 2,0   | 18,5                              | -               | $\approx 4,0$                      | 1 / 2,2           | 2,5 / 2,5         | EB                          |  |
| 1280                           | 14,5   | 10,0                           | 3,8  | 1 - 2,5             | 3,0   | 23,5                              | -               | $\approx 7,5$                      | 1 / 3,3           | 2,5 / 3,5         | EB                          |  |

**Information:**

EB = EPDM, schwarz

Toleranzen nach (DIN ISO 3302, Teil 2 M2F)  
Irrtum vorbehalten

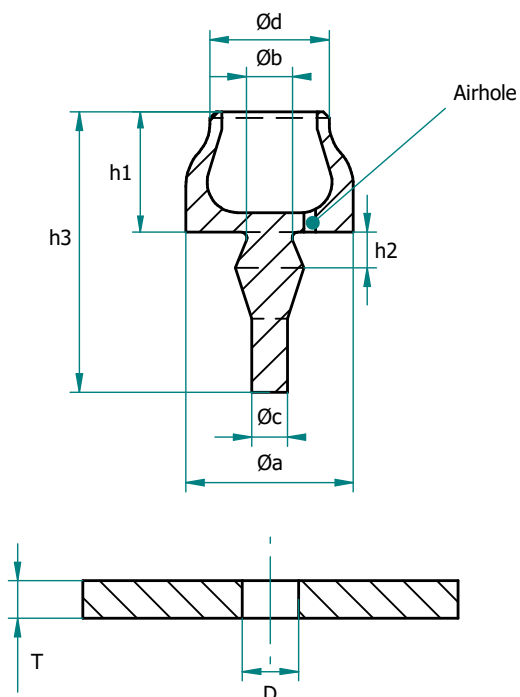
**Information:**

EB = EPDM, black

General measuring tolerances (DIN ISO 3302, section 2 M2F)  
Errors excepted



SOFTPUFFER - FORM 2  
SOFTBUFFER - SHAPE 2



| Artikel Nr.<br>Part no. | Kopf $\varnothing$<br>Head $\varnothing$ | Kopfhöhe<br>Head height | Hals $\varnothing$<br>Neck $\varnothing$ | Spalt<br>Gap | Zapfen $\varnothing$<br>Tap $\varnothing$ | Gesamthöhe<br>Total height |                 | Federweg<br>pitch of spring | T/D<br>T/D | T/D<br>T/D | Material<br>Material |  |
|-------------------------|--|-------------------------|--|--------------|---|----------------------------|-----------------|-----------------------------|------------|------------|----------------------|--|
|                         | a  | h1                      | b  | h2           | $\varnothing c$                           | h3                         | $\varnothing d$ |                             |            |            |                      |  |
| 1351                    | 8,0                                      | 5,0                     | 2,5                                      | 1 - 3,0      | 2,0                                       | 19,0                       | 6,5             | $\approx 2,7$               | 1 / 2,5    | 3 / 3,0    | EB                   |  |
| 1352                    | 11,0                                     | 7,0                     | 3,2                                      | 1 - 3,0      | 2,8                                       | 21,0                       | 9,0             | $\approx 3,8$               | 1 / 2,8    | 3 / 3,0    | EB                   |  |
| 1353                    | 14,0                                     | 10,0                    | 3,8                                      | 1 - 3,0      | 3,0                                       | 23,3                       | 10,0            | $\approx 5,5$               | 1 / 3,8    | 3 / 4,0    | EB                   |  |
| 1354                    | 17,0                                     | 11,8                    | 4,2                                      | 1 - 3,0      | 3,0                                       | 25,0                       | 12,5            | $\approx 6,5$               | 1 / 4,8    | 3 / 5,0    | EB                   |  |
| 1355                    | 20,5                                     | 14,0                    | 5,1                                      | 2 - 4,0      | 3,7                                       | 29,6                       | 15,3            | $\approx 7,5$               | 2 / 5,5    | 4 / 6,5    | EB                   |  |

**Information:**

EB = EPDM, schwarz

Toleranzen nach (DIN ISO 3302, Teil 2 M2F)  
Irrtum vorbehalten

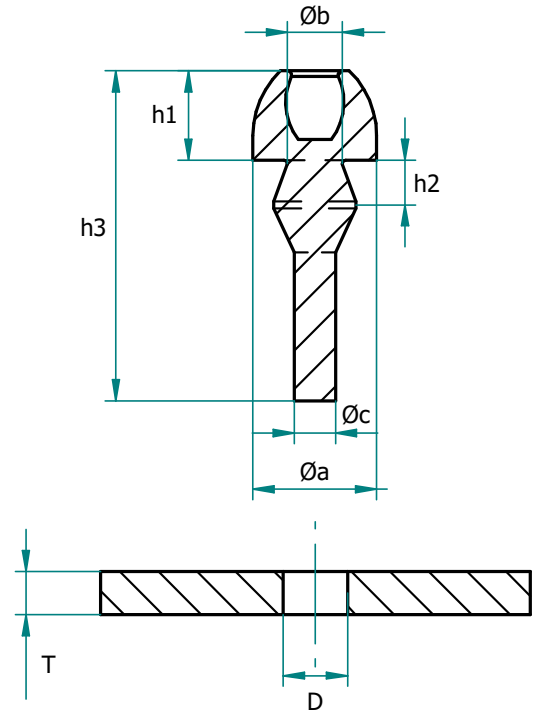
**Information:**

EB = EPDM, black

General measuring tolerances (DIN ISO 3302, section 2 M2F)  
Errors excepted



SOFTPUFFER - FORM 3  
SOFTBUFFER - SHAPE 3



| Artikel Nr.<br><i>Part no.</i> | Kopf $\varnothing$<br><i>Head <math>\varnothing</math></i> | Kopfhöhe<br><i>Head height</i> | Hals $\varnothing$<br><i>Neck <math>\varnothing</math></i> | Spalt<br><i>Gap</i> | Zapfen $\varnothing$<br><i>Tap <math>\varnothing</math></i> | Gesamthöhe<br><i>Total height</i> |                 | Federweg<br><i>pitch of spring</i> | T/D<br><i>T/D</i> | T/D<br><i>T/D</i> | Material<br><i>Material</i> |
|--------------------------------|--|--------------------------------|--|---------------------|---|-----------------------------------|-----------------|------------------------------------|-------------------|-------------------|-----------------------------|
|                                | a  | h1                             | b  | h2                  | $\varnothing c$   | h3                                | $\varnothing d$ |                                    |                   |                   |                             |
| 3501                           | 9,2  | 6,5                            | 4,0  | 1 - 3,0             | 3,2   | 24,0                              | -               | $\approx 3,0$                      | 1 / 4,0           | 3 / 4,5           | EB                          |



**Information:**

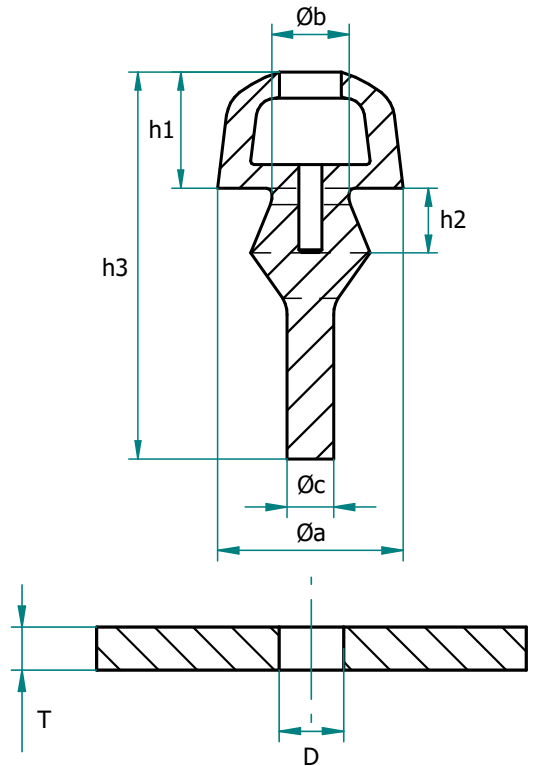
EB = EPDM, schwarz  
ohne Lüftungsbohrung  
Toleranzen nach (DIN ISO 3302, Teil 2 M2F)  
Irrtum vorbehalten

**Information:**

EB = EPDM, black  
without airhole  
General measuring tolerances (DIN ISO 3302, section 2 M2F)  
Errors excepted



SOFTPUFFER - FORM 4  
SOFTBUFFER - SHAPE 4



| Artikel Nr.<br><i>Part no.</i> | Kopf $\varnothing$<br><i>Head <math>\varnothing</math></i> | Kopfhöhe<br><i>Head height</i> | Hals $\varnothing$<br><i>Neck <math>\varnothing</math></i> | Spalt<br><i>Gap</i> | Zapfen $\varnothing$<br><i>Tap <math>\varnothing</math></i> | Gesamthöhe<br><i>Total height</i> |                                   | Federweg<br><i>pitch of spring</i> | T/D<br><i>T/D</i> | T/D<br><i>T/D</i> | Material<br><i>Material</i> |
|--------------------------------|--|--------------------------------|--|---------------------|---|-----------------------------------|-----------------------------------|------------------------------------|-------------------|-------------------|-----------------------------|
|                                | <b>a</b>   | <b>h1</b>                      | <b>b</b>   | <b>h2</b>           | <b><math>\varnothing c</math></b>                           | <b>h3</b>                         | <b><math>\varnothing d</math></b> |                                    |                   |                   |                             |
| 3502                           | 12,0   | 7,5                            | 5,0  | 1 - 3,0             | 3,0   | 25,0                              | -                                 | $\approx 3,0$                      | 1 / 5             | 3 / 5,5           | EB                          |

**Information:**

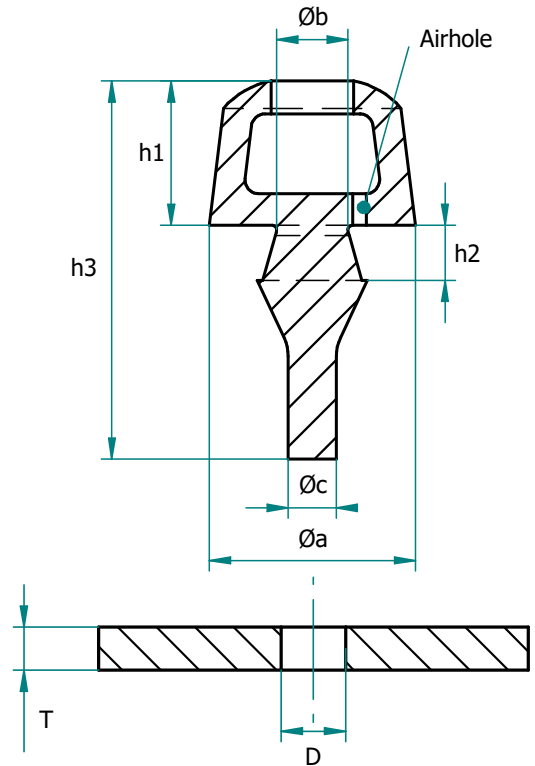
EB = EPDM, schwarz  
ohne Lüftungsbohrung  
Toleranzen nach (DIN ISO 3302, Teil 2 M2F)  
Irrtum vorbehalten

**Information:**

EB = EPDM, black  
without airhole  
General measuring tolerances (DIN ISO 3302, section 2 M2F)  
Errors excepted



SOFTPUFFER - FORM 5  
SOFTBUFFER - SHAPE 5



| Artikel Nr.<br><i>Part no.</i> | Kopf $\varnothing$<br><i>Head <math>\varnothing</math></i> | Kopfhöhe<br><i>Head height</i> | Hals $\varnothing$<br><i>Neck <math>\varnothing</math></i> | Spalt<br><i>Gap</i> | Zapfen $\varnothing$<br><i>Tap <math>\varnothing</math></i> | Gesamthöhe<br><i>Total height</i> |                 | Federweg<br><i>pitch of spring</i> | T/D<br><i>T/D</i> | T/D<br><i>T/D</i> | Material<br><i>Material</i> |  |
|--------------------------------|--|--------------------------------|--|---------------------|---|-----------------------------------|-----------------|------------------------------------|-------------------|-------------------|-----------------------------|--|
|                                | a  | h1                             | b  | h2                  | $\varnothing c$   | h3                                | $\varnothing d$ |                                    |                   |                   |                             |  |
| 3503                           | 15,0   | 10,5                           | 5,2  | 1 - 3,0             | 3,5   | 27,5                              | -               | $\approx 5,0$                      | 1 / 5             | 3 / 5,5           | EB                          |  |
| 3504                           | 18,5   | 13,5                           | 5,5  | 1 - 3,0             | 3,5   | 36,0                              | -               | $\approx 8,0$                      | 1 / 5,5           | 3 / 6             | EB                          |  |

**Information:**

EB = EPDM, schwarz

Toleranzen nach (DIN ISO 3302, Teil 2 M2F)  
Irrtum vorbehalten

**Information:**

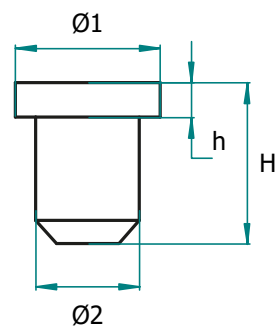
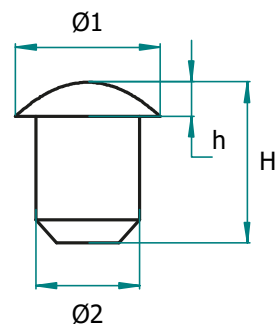
EB = EPDM, black

General measuring tolerances (DIN ISO 3302, section 2 M2F)  
Errors excepted





GUMMISTOPFEN  
RUBBER STOPS



| Artikel Nr.<br><i>Part no.</i> | Kopf Ø<br><i>Head Ø</i> | Kopfhöhe<br><i>Head height</i> | Schaft Ø<br><i>Shaft Ø</i> | Gesamthöhe<br><i>Total height</i> | Material<br><i>Material</i> |  |
|--------------------------------|-------------------------|--------------------------------|----------------------------|-----------------------------------|-----------------------------|--|
|                                | Ø1                      | h                              | Ø2                         | H                                 |                             |  |
| 1659                           | 5,3                     | 2,0                            | 3,0                        | 5,0                               | EB                          |  |
| 1663                           | 12,0                    | 4,2                            | 9,0                        | 13,0                              | EB                          |  |
| 1664                           | 7,4                     | 2,4                            | 4,5                        | 7,0                               | EB                          |  |
| 1666                           | 6,0                     | 2,0                            | 4,0                        | 4,7                               | EB                          |  |
| 1668                           | 12,0                    | 1,5                            | 8,0                        | 10,3                              | EB                          |  |
| 1669                           | 7,0                     | 1,1                            | 4,0                        | 7,1                               | EB                          |  |
| 1671                           | 6,0                     | 2,0                            | 4,0                        | 6,0                               | EB                          |  |

**Information:**

EB = EPDM, schwarz

1) = mit Durchgangsloch

Toleranzen nach (DIN ISO 3302, Teil 2 M2F)

Irrtum vorbehalten

**Information:**

EB = EPDM, black

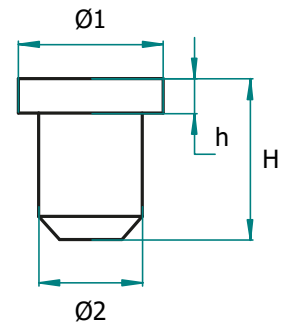
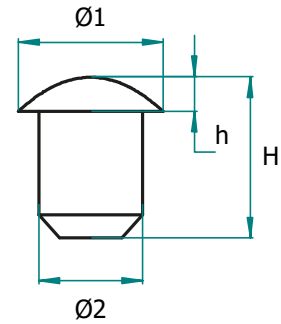
1) = with hole

General measuring tolerances (DIN ISO 3302, section 2 M2F)

Errors excepted



**GUMMISTOPFEN**  
*RUBBER STOPS*



| Artikel Nr.<br><i>Part no.</i> | Kopf Ø<br><i>Head Ø</i> | Kopfhöhe<br><i>Head height</i> | Schaft Ø<br><i>Shaft Ø</i> | Gesamthöhe<br><i>Total height</i> | Material<br><i>Material</i> |  |
|--------------------------------|-------------------------|--------------------------------|----------------------------|-----------------------------------|-----------------------------|--|
|                                | Ø1                      | h                              | Ø2                         | H                                 |                             |  |
| 1676                           | 6,0                     | 1,5                            | 4,0                        | 7,7                               | EB                          |  |
| 1677                           | 9,5                     | 2,0                            | 7,2                        | 8,0                               | EB                          |  |
| 1684                           | 9,7                     | 2,1                            | 6,0                        | 8,0                               | EB                          |  |
| 1690                           | 9,8                     | 3,1                            | 7,5                        | 8,0                               | EB                          |  |
| 1691 <sup>1)</sup>             | 10,0                    | 2,6                            | 6,2                        | 10,5                              | EB                          |  |
| 1692                           | 9,5                     | 2,0                            | 6,0                        | 7,0                               | EB                          |  |
| 1695                           | 11,8                    | 1,5                            | 8,1                        | 7,8                               | EB                          |  |

**Information:**

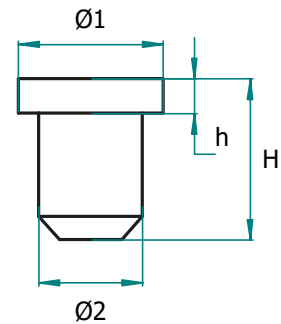
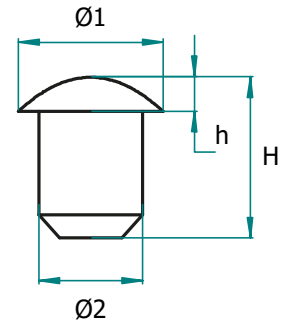
EB = EPDM, schwarz  
1) = mit Durchgangsloch  
Toleranzen nach (DIN ISO 3302, Teil 2 M2F)  
Irrtum vorbehalten

**Information:**

EB = EPDM, black  
1) = with hole  
General measuring tolerances (DIN ISO 3302, section 2 M2F)  
Errors excepted



GUMMISTOPFEN  
*RUBBER STOPS*



| Artikel Nr.<br><i>Part no.</i> | Kopf Ø<br><i>Head Ø</i> | Kopfhöhe<br><i>Head height</i> | Schaft Ø<br><i>Shaft Ø</i> | Gesamthöhe<br><i>Total height</i> | Material<br><i>Material</i> |  |
|--------------------------------|-------------------------|--------------------------------|----------------------------|-----------------------------------|-----------------------------|--|
|                                | Ø1                      | h                              | Ø2                         | H                                 |                             |  |
| 1702                           | 7,5                     | 1,7                            | 5,0                        | 6,3                               | EB                          |  |
| 1703                           | 12,0                    | 1,5                            | 8,1                        | 6,2                               | EB                          |  |
| 1707                           | 6,0                     | 2,7                            | 3,3                        | 10,6                              | EB                          |  |
| 1709                           | 12,8                    | 3,1                            | 7,1                        | 8,5                               | EB                          |  |
| 1716 <sup>1)</sup>             | 9,5                     | 2,0                            | 6,0                        | 7,0                               | EB                          |  |
| 1722                           | 8,5                     | 4,6                            | 7,2                        | 9,0                               | EB                          |  |
| 1723                           | 8,5                     | 3,0                            | 7,1                        | 7,5                               | EB                          |  |

**Information:**

EB = EPDM, schwarz

1) = mit Durchgangsloch

Toleranzen nach (DIN ISO 3302, Teil 2 M2F)

Irrtum vorbehalten

**Information:**

EB = EPDM, black

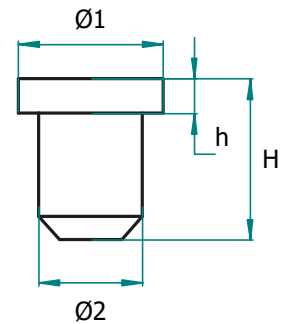
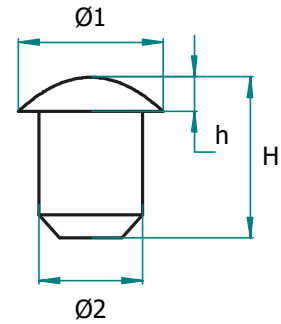
1) = with hole


General measuring tolerances (DIN ISO 3302, section 2 M2F)

Errors excepted



GUMMISTOPFEN  
*RUBBER STOPS*



| Artikel Nr.<br><i>Part no.</i> | Kopf Ø<br><i>Head Ø</i> | Kopfhöhe<br><i>Head height</i> | Schaft Ø<br><i>Shaft Ø</i> | Gesamthöhe<br><i>Total height</i> | Material<br><i>Material</i> |   |
|--------------------------------|-------------------------|--------------------------------|----------------------------|-----------------------------------|-----------------------------|---|
|                                | Ø1                      | h                              | Ø2                         | H                                 |                             |   |
| 1726                           | 8,5                     | 3,7                            | 7,1                        | 8,2                               | EB                          |  |

**Information:**

EB = EPDM, schwarz  
1) = mit Durchgangsloch  
Toleranzen nach (DIN ISO 3302, Teil 2 M2F)  
Irrtum vorbehalten

**Information:**

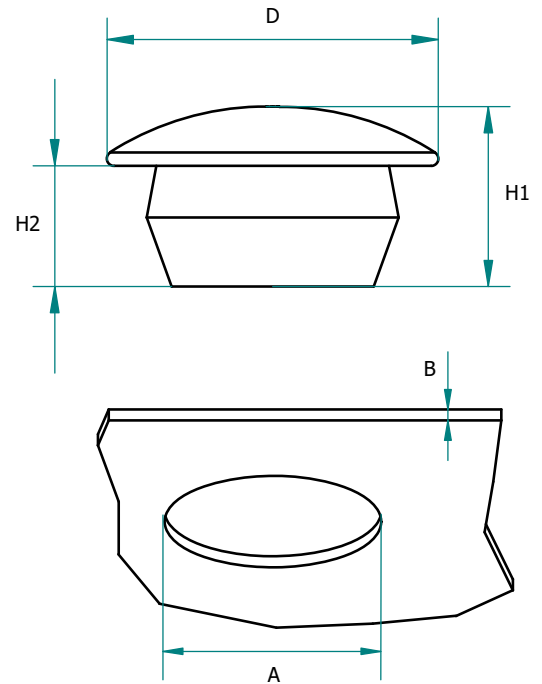
EB = EPDM, black  
1) = with hole  
General measuring tolerances (DIN ISO 3302, section 2 M2F)  
Errors excepted



STOPFEN  
*PLUGS*



KAROSSESTOPFEN  
*BLANKING PLUG*



| Artikel Nr.<br><i>Part no.</i> | Nennmaß<br><i>Nominal size</i> | Loch Ø<br><i>Panel hole size</i> | Wandstärke<br><i>Panel thickness</i> | Gesamt Ø<br><i>Total Ø</i> | Gesamthöhe<br><i>Total height</i> | Einbaumaß<br><i>Installation dimension</i> | Material<br><i>Material</i> |  |
|--------------------------------|--------------------------------|----------------------------------|--------------------------------------|----------------------------|-----------------------------------|--|-----------------------------|--|
|                                |                                | A                                | B                                    | D                          | H1                                | H2   |                             |  |
| 1500                           | M 6                            | 6                                | 1 - 3,0                              | 12,0                       | 11,5                              | 8,5  | EB                          |  |
| 1501                           | M 8                            | 8                                | 1 - 3,0                              | 14,0                       | 11,5                              | 8,5  | EB                          |  |
| 1502                           | M 10                           | 10                               | 1 - 3,0                              | 16,0                       | 12,0                              | 8,5  | EB                          |  |
| 1503                           | M 12                           | 12                               | 1 - 3,0                              | 18,5                       | 12,0                              | 8,5  | EB                          |  |
| 1504                           | M 16                           | 16                               | 1 - 3,0                              | 23,0                       | 12,5                              | 8,5  | EB                          |  |
| 1505                           | M 20                           | 20                               | 1 - 3,0                              | 27,0                       | 13,0                              | 8,5  | EB                          |  |
| 1506                           | M 25                           | 25                               | 1 - 3,0                              | 32,5                       | 13,0                              | 8,5  | EB                          |  |

**Information:**

EB = EPDM, schwarz

Toleranzen nach (DIN ISO 3302, Teil 2 M2F)  
Irrtum vorbehalten

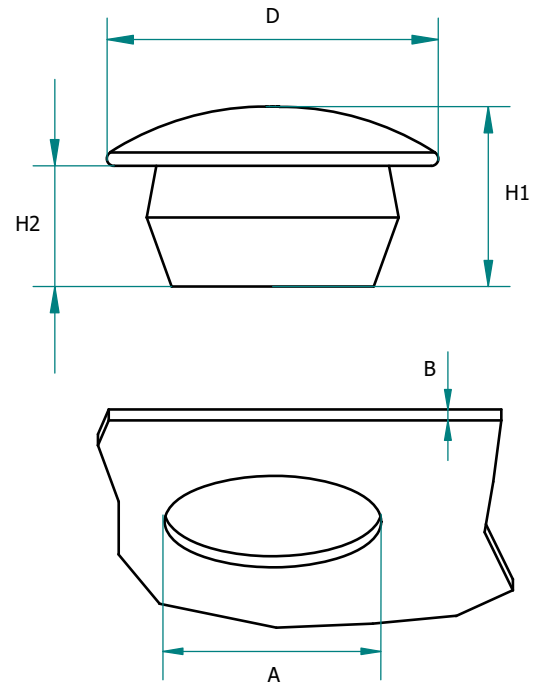
**Information:**

EB = EPDM, black

General measuring tolerances (DIN ISO 3302, section 2 M2F)  
Errors excepted



KAROSSESTOPFEN  
BLANKING PLUG



| Artikel Nr.<br>Part no. | Nennmaß<br>Nominal size | Loch $\emptyset$<br>Panel hole size | Wandstärke<br>Panel thickness | Gesamt $\emptyset$<br>Total $\emptyset$ | Gesamthöhe<br>Total height | Einbaumaß<br>Installation dimension | Material<br>Material |  |
|-------------------------|-------------------------|-------------------------------------|-------------------------------|---|----------------------------|-------------------------------------|----------------------|--|
|                         |                         | <b>A</b>                            | <b>B</b>                      | <b>D</b>                                | <b>H1</b>                  | <b>H2</b>                           |                      |  |
| 1507                    | M 32                    | 32                                  | 1 - 3,0                       | 39,5                                    | 13,0                       | 8,5                                 | EB                   |  |

**Information:**

EB = EPDM, schwarz

Toleranzen nach (DIN ISO 3302, Teil 2 M2F)  
Irrtum vorbehalten

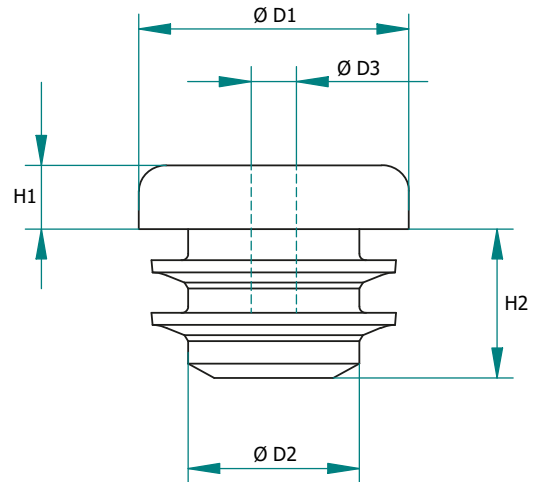
**Information:**

EB = EPDM, black

General measuring tolerances (DIN ISO 3302, section 2 M2F)  
Errors excepted



# LAMELLENSTOPFEN LAMELLAR PLUGS



| Artikel Nr.<br>Part no. | Nennmaß<br>Nominal size | Durchmesserbereich<br>Diameter range | Kopf Ø<br>Head Ø | Kopfhöhe<br>Head height | Schaftlänge<br>Shaft length | Schaft Ø<br>Shaft Ø | Sackloch Ø<br>Blind hole Ø | Material<br>Material |  |
|-------------------------|-------------------------|--------------------------------------|------------------|-------------------------|-----------------------------|---------------------|----------------------------|----------------------|--|
|                         |                         |                                      | ØD1              | H1                      | H2                          | Ø D2                | Ø D3                       |                      |  |
| 1611                    | M 5                     | 4,0 - 5,5                            | 8,0              | 2,5                     | 7,00                        | 3,50                | 1,50                       | EB, NB, SR           |  |
| 1612                    | M 6                     | 5,5 - 7,0                            | 9,0              | 2,8                     | 7,00                        | 4,50                | 1,50                       | EB, NB, SR           |  |
| 1613                    | M 8                     | 7,0 - 8,5                            | 10,5             | 3,0                     | 7,00                        | 6,50                | 1,70                       | EB, NB, SR           |  |
| 1614                    | M 10                    | 8,5 - 10,0                           | 12,0             | 3,0                     | 7,00                        | 7,50                | 2,00                       | EB, NB, SR           |  |
| 1615                    | M 12                    | 10,0 - 12,0                          | 14,0             | 3,0                     | 7,00                        | 8,80                | 3,00                       | EB, NB, SR           |  |
| 1616                    | M 16                    | 12,0 - 16,0                          | 18,0             | 4,0                     | 9,80                        | 10,60               | 4,00                       | EB, NB, SR           |  |
| 1617                    | M 20                    | 16,0 - 20,0                          | 25,0             | 5,5                     | 13,70                       | 12,90               | 6,30                       | EB, NB, SR           |  |

**Information:**

EB = EPDM, schwarz ; NB = NBR, schwarz ; SR = Silikon, rot

Toleranzen nach (DIN ISO 3302, Teil 2 M2F)  
Irrtum vorbehalten

**Information:**

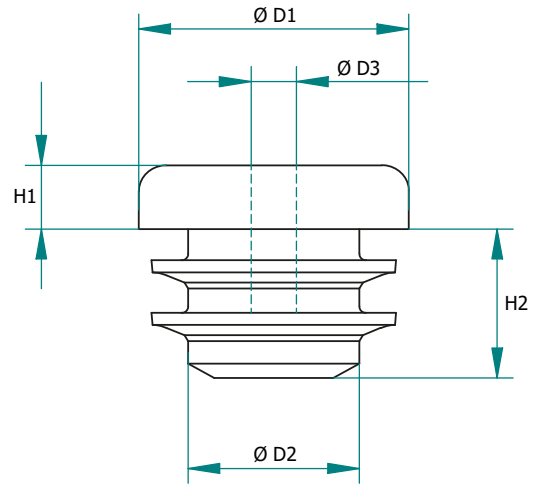
EB = EPDM, black ; NB = NBR, black ; SR = Silicon, red

General measuring tolerances (DIN ISO 3302, section 2 M2F)  
Errors excepted





LAMELLENSTOPFEN  
*LAMELLAR PLUGS*



| Artikel Nr.<br><i>Part no.</i> | Nennmaß<br><i>Nominal size</i> | Durchmesserbereich<br><i>Diameter range</i> | Kopf Ø<br><i>Head Ø</i> | Kopfhöhe<br><i>Head height</i> | Schaftlänge<br><i>Shaft length</i> | Schaft Ø<br><i>Shaft Ø</i> | Sackloch Ø<br><i>Blind hole Ø</i> | Material<br><i>Material</i> |  |
|--------------------------------|--------------------------------|---|-------------------------|--------------------------------|------------------------------------|----------------------------|-----------------------------------|-----------------------------|--|
|                                |                                |   | ØD1                     | H1                             | H2                                 | Ø D2                       | Ø D3                              |                             |  |
| 1618                           | M 24                           | 20,0 - 24,0                                 | 30,0                    | 6,0                            | 17,00                              | 16,70                      | 9,30                              | EB, NB, SR                  |  |

**Information:**

EB = EPDM, schwarz ; NB = NBR, schwarz ; SR = Silikon, rot

Toleranzen nach (DIN ISO 3302, Teil 2 M2F)  
Irrtum vorbehalten

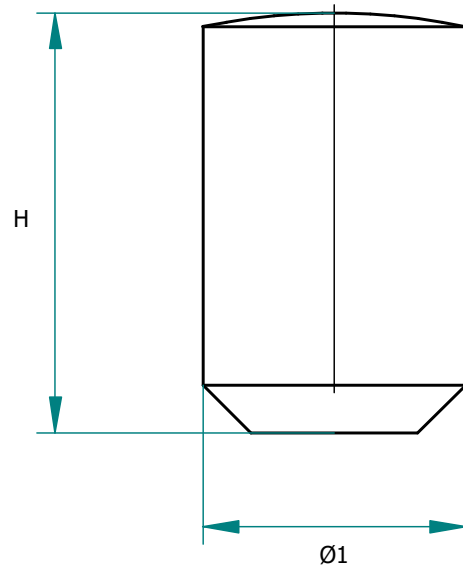
**Information:**

EB = EPDM, black ; NB = NBR, black ; SR = Silicon, red

General measuring tolerances (DIN ISO 3302, section 2 M2F)  
Errors excepted



**STECKFUSS**  
*RUBBER STOPPER*



| Artikel Nr.<br><i>Part no.</i> | Gesamt Ø<br><i>Total Ø</i> | Gesamthöhe<br><i>Total height</i> | Material<br><i>Material</i> |  |
|--------------------------------|----------------------------|-----------------------------------|-----------------------------|--|
|                                | Ø1                         | H                                 |                             |  |
| 1649 <sup>1)</sup>             | 4,5                        | 7,7                               | EB                          |  |
| 1683                           | 6,0                        | 9,5                               | EB                          |  |
| 1699                           | 5,0                        | 6,3                               | EB                          |  |
| 1700                           | 5,0                        | 6,0                               | EB                          |  |

**Information:**

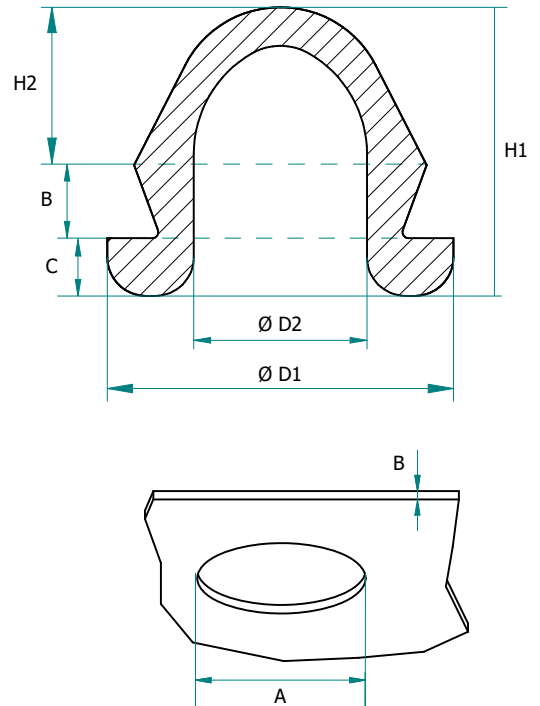
EB = EPDM, schwarz  
1) = Durchgangsbohrung von Ø 1,2mm  
Toleranzen nach (DIN ISO 3302, Teil 2 M2F)  
Irrtum vorbehalten

**Information:**

EB = EPDM, black  
1) = drill-hole Ø 1,2mm  
General measuring tolerances (DIN ISO 3302, section 2 M2F)  
Errors excepted



**TÜLLENPUFFER**  
*RUBBER BUMPER*



| Artikel Nr.<br><i>Part no.</i> | Nennmaß<br><i>Nominal size</i> | Loch Ø<br><i>Panel hole size</i> | Wandstärke<br><i>Panel thickness</i> | Bundhöhe<br><i>Collar height</i> | Gesamt Ø<br><i>Total Ø</i> | Loch Ø<br><i>Hole Ø</i> | Gesamthöhe<br><i>Total height</i> | Material<br><i>Material</i> |  |
|--------------------------------|--------------------------------|----------------------------------|--------------------------------------|----------------------------------|----------------------------|-------------------------|-----------------------------------|-----------------------------|--|
|                                |                                | <b>A</b>                         | <b>B</b>                             |                                  | <b>Ø D1</b>                |                         | <b>H1</b>                         |                             |  |
| 3550                           | M10                            | 10,5                             | 1 - 3,0                              | 3,0                              | 15,0                       | 7,0                     | 13,0                              | EB                          |  |
| 3551                           | M12                            | 12,5                             | 1 - 3,0                              | 3,0                              | 18,0                       | 9,0                     | 15,0                              | EB                          |  |
| 3552                           | M16                            | 16,5                             | 1 - 3,0                              | 3,0                              | 22,0                       | 12,2                    | 17,0                              | EB                          |  |
| 3553                           | M20                            | 20,5                             | 1 - 3,0                              | 3,0                              | 26,0                       | 15,2                    | 19,0                              | EB                          |  |

**Information:**

EB = EPDM, schwarz

Toleranzen nach (DIN ISO 3302, Teil 2 M2F)  
Irrtum vorbehalten

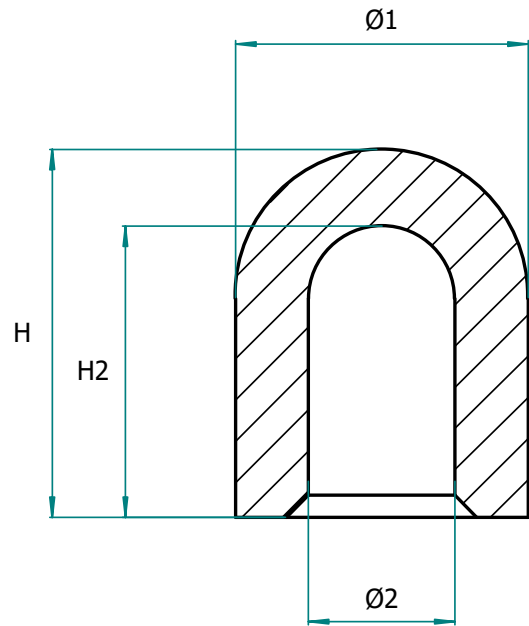
**Information:**

EB = EPDM, black

General measuring tolerances (DIN ISO 3302, section 2 M2F)  
Errors excepted



**ABDECKKAPPEN**  
*MASKING CAPS*



| Artikel Nr.<br><i>Part no.</i> | Gesamt Ø<br><i>Total Ø</i> | Loch Ø<br><i>Hole Ø</i> | Gesamthöhe<br><i>Total height</i> | Höhe innen<br><i>Height inner</i> | Material<br><i>Material</i> |  |
|--------------------------------|----------------------------|-------------------------|-----------------------------------|-----------------------------------|-----------------------------|--|
|                                | Ø1                         | Ø2                      | H                                 | H2                                |                             |  |
| 1712                           | 13,0                       | 8,2                     | 11,0                              | 9,0                               | EB                          |  |
| 1732                           | 12,3                       | 10,6                    | 25,0                              | 24,1                              | EB                          |  |
| 1913                           | 5,5                        | 2,7                     | 5,0                               | 3,8                               | EB                          |  |
| 1918                           | 7,0                        | 2,4                     | 9,0                               | 6,4                               | EB                          |  |

**Information:**

EB = EPDM, schwarz

Toleranzen nach (DIN ISO 3302, Teil 2 M2F)  
Irrtum vorbehalten

**Information:**

EB = EPDM, black

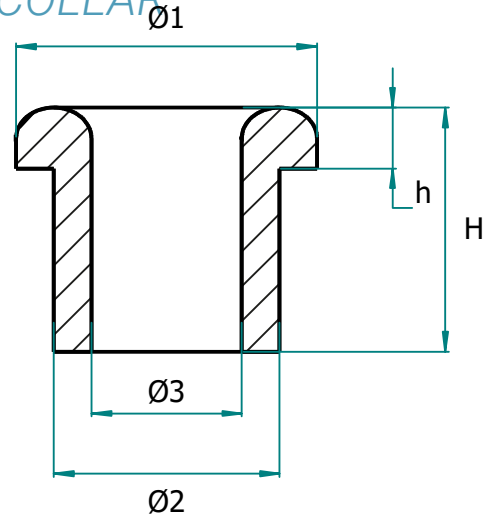
General measuring tolerances (DIN ISO 3302, section 2 M2F)  
Errors excepted





TÜLLEN  
GROMMETS



## KABELDURCHFÜHRUNG MIT EINSEITIGEM BUND CABLE GROMMETS WITH ONE-SIDED COLLAR



| Artikel Nr.<br><i>Part no.</i> | Gesamt Ø<br><i>Total Ø</i> | Loch Ø<br><i>Hole Ø</i> | Kabel Ø<br><i>Cable Ø</i> | Bundhöhe<br><i>Collar height</i> | Gesamthöhe<br><i>Total height</i> | Material<br><i>Material</i> |   |
|--------------------------------|----------------------------|-------------------------|---------------------------|----------------------------------|-----------------------------------|-----------------------------|---|
|                                | Ø1                         | Ø2                      | Ø3                        | h                                | H                                 |                             |   |
| 1041                           | 13,7                       | 10,0                    | 5,8                       | 4,0                              | 12,0                              | EB                          |  |
| 1087                           | 14,0                       | 10,0                    | 6,0                       | 4,0                              | 10,0                              | EB                          |  |

**Information:**

EB = EPDM, schwarz

Toleranzen nach (DIN ISO 3302, Teil 2 M2F)  
Irrtum vorbehalten

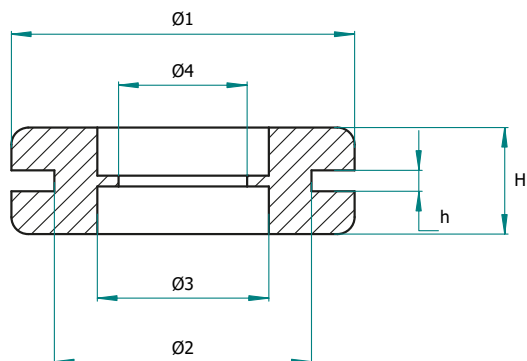
**Information:**

EB = EPDM, black

General measuring tolerances (DIN ISO 3302, section 2 M2F)  
Errors excepted



# KABELDURCHFÜHRUNG MIT INNENLIEGENDER DICHTLIPPE CABLE GROMMET WITH INSIDE SEALING LIP



| Artikel Nr.<br><i>Part no.</i> | Gesamt Ø<br><i>Total Ø</i> | Loch Ø<br><i>Hole Ø</i> | Ø3<br><i>Ø3</i> | Ø4<br><i>Ø4</i> | Spalt<br><i>Gap</i> | Gesamthöhe<br><i>Total height</i> | Material<br><i>Material</i> |  |
|--------------------------------|----------------------------|-------------------------|-----------------|-----------------|---------------------|-----------------------------------|-----------------------------|--|
|                                | Ø1                         | Ø2                      | Ø3              | Ø4              | h                   | H                                 |                             |  |
| 1047                           | 8,0                        | 6,0                     | 3,8             | 2,5             | 2,0                 | 4,2                               | EB                          |  |
| 1065                           | 19,0                       | 15,0                    | 10,7            | 7,7             | 1,7                 | 8,1                               | EB                          |  |
| 1088                           | 12,0                       | 9,8                     | 6,8             | 6,0             | 1,0                 | 8,1                               | EB                          |  |
| 1093                           | 16,0                       | 11,0                    | 8,8             | 6,3             | 2,0                 | 10,2                              | EB                          |  |
| 1094                           | 30,0                       | 20,0                    | 18,0            | 14,0            | 2,3                 | 10,3                              | EB                          |  |
| 1095                           | 35,0                       | 28,0                    | 24,0            | 20,0            | 2,0                 | 10,0                              | EB                          |  |
| 1096                           | 20,0                       | 16,5                    | 13,2            | 10,4            | 2,0                 | 10,0                              | EB                          |  |

**Information:**

EB = EPDM, schwarz

Toleranzen nach (DIN ISO 3302, Teil 2 M2F)  
Irrtum vorbehalten

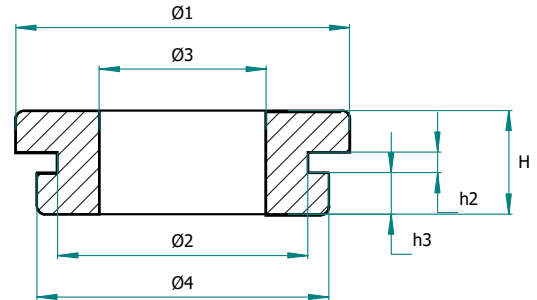
**Information:**

EB = EPDM, black

General measuring tolerances (DIN ISO 3302, section 2 M2F)  
Errors excepted



## KABELDURCHFÜHRUNGEN MIT ASYMMETRISCHEM BUND CABLE GROMMETS WITH ASYMMETRIC COLLAR



| Artikel Nr.<br>Part no. | Gesamt Ø<br>Total Ø | Loch Ø<br>Hole Ø | Kabel Ø<br>Cable Ø | Ø4<br>Ø4 | Gesamthöhe<br>Total height | Spalt<br>Gap |     | Material<br>Material |  |
|-------------------------|---------------------|------------------|--------------------|----------|----------------------------|--------------|-----|----------------------|--|
|                         | Ø1                  | Ø2               | Ø3                 | Ø4       | H                          | h2           | h3  |                      |  |
| 0990                    | 7,0                 | 4,0              | 2,0                | 6,2      | 4,0                        | 1,0          | 1,2 | EB                   |  |
| 1000                    | 6,0                 | 4,0              | 1,6                | -        | 5,0                        | 1,5          | 1,8 | EB                   |  |
| 1019                    | 12,0                | 6,0              | 4,0                | 9,0      | 6,0                        | 1,5          | 2,0 | EB                   |  |
| 1036                    | 17,0                | 11,8             | 10,0               | -        | 7,0                        | 2,0          | 2,0 | EB                   |  |
| 1058                    | 16,7                | 10,0             | 6,0                | 13,7     | 10,0                       | 1,6          | 4,2 | EB                   |  |

**Information:**

EB = EPDM, schwarz

Toleranzen nach (DIN ISO 3302, Teil 2 M2F)  
Irrtum vorbehalten

**Information:**

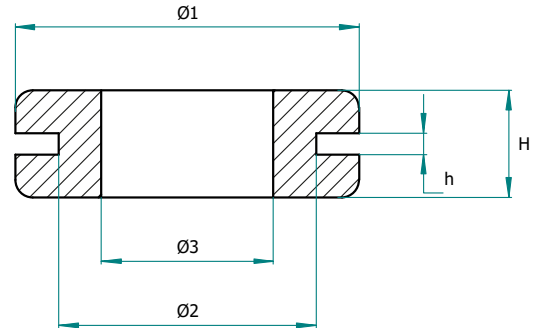
EB = EPDM, black

General measuring tolerances (DIN ISO 3302, section 2 M2F)  
Errors excepted





## KABELDURCHFÜHRUNGEN MIT RADIUS CABLE GROMMETS WITH RADIUS



| Artikel Nr.<br><i>Part no.</i> | Gesamt Ø<br><i>Total Ø</i> | Loch Ø<br><i>Hole Ø</i> | Kabel Ø<br><i>Cable Ø</i> | Spalt<br><i>Gap</i> | Gesamthöhe<br><i>Total height</i> | Material<br><i>Material</i> |  |
|--------------------------------|----------------------------|-------------------------|---------------------------|---------------------|-----------------------------------|-----------------------------|--|
|                                | Ø1                         | Ø2                      | Ø3                        | h                   | H                                 |                             |  |
| 0999                           | 5,8                        | 4,0                     | 1,0                       | 1,5                 | 5,2                               | EB                          |  |
| 1001                           | 7,8                        | 5,0                     | 3,0                       | 1,4                 | 5,0                               | EB                          |  |
| 1006                           | 10,1                       | 7,0                     | 3,0                       | 1,5                 | 5,8                               | EB                          |  |
| 1009                           | 9,0                        | 6,0                     | 4,5                       | 1,0                 | 4,0                               | EB                          |  |
| 1010                           | 12,5                       | 10,0                    | 5,5                       | 2,0                 | 8,5                               | EB                          |  |
| 1012                           | 15,5                       | 9,5                     | 5,5                       | 0,8                 | 5,0                               | EB                          |  |
| 1013                           | 14,0                       | 10,0                    | 6,8                       | 4,5                 | 10,3                              | EB                          |  |

**Information:**

EB = EPDM, schwarz

Toleranzen nach (DIN ISO 3302, Teil 2 M2F)  
Irrtum vorbehalten

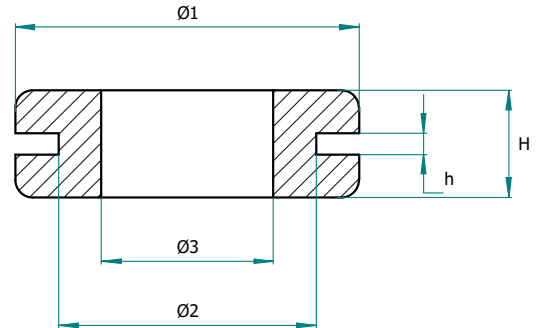
**Information:**

EB = EPDM, black

General measuring tolerances (DIN ISO 3302, section 2 M2F)  
Errors excepted



## KABELDURCHFÜHRUNGEN MIT RADIUS CABLE GROMMETS WITH RADIUS



| Artikel Nr.<br><i>Part no.</i> | Gesamt Ø<br><i>Total Ø</i> | Loch Ø<br><i>Hole Ø</i> | Kabel Ø<br><i>Cable Ø</i> | Spalt<br><i>Gap</i> | Gesamthöhe<br><i>Total height</i> | Material<br><i>Material</i> |  |
|--------------------------------|----------------------------|-------------------------|---------------------------|---------------------|-----------------------------------|-----------------------------|--|
|                                | Ø1                         | Ø2                      | Ø3                        | h                   | H                                 |                             |  |
| 1014                           | 12,7                       | 10,0                    | 6,0                       | 2,1                 | 8,0                               | EB                          |  |
| 1015                           | 16,0                       | 12,0                    | 6,8                       | 1,5                 | 8,0                               | EB                          |  |
| 1016                           | 13,0                       | 10,0                    | 7,0                       | 1,5                 | 7,3                               | EB                          |  |
| 1021                           | 9,5                        | 6,5                     | 4,5                       | 1,2                 | 6,0                               | EB                          |  |
| 1023                           | 10,8                       | 8,0                     | 5,4                       | 1,1                 | 4,3                               | EB                          |  |
| 1024                           | 11,0                       | 7,0                     | 4,4                       | 2,0                 | 7,0                               | EB                          |  |
| 1026                           | 29,0                       | 24,0                    | 15,0                      | 2,2                 | 10,2                              | EB                          |  |

**Information:**

EB = EPDM, schwarz

Toleranzen nach (DIN ISO 3302, Teil 2 M2F)  
Irrtum vorbehalten

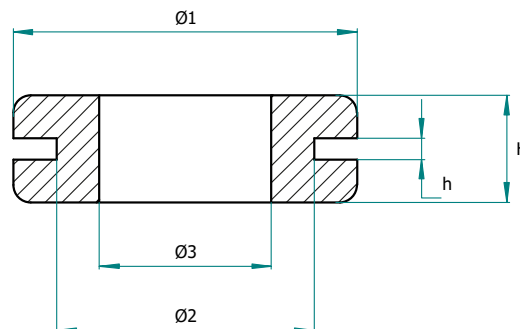
**Information:**

EB = EPDM, black

General measuring tolerances (DIN ISO 3302, section 2 M2F)  
Errors excepted



## KABELDURCHFÜHRUNGEN MIT RADIUS CABLE GROMMETS WITH RADIUS



| Artikel Nr.<br><i>Part no.</i> | Gesamt Ø<br><i>Total Ø</i> | Loch Ø<br><i>Hole Ø</i> | Kabel Ø<br><i>Cable Ø</i> | Spalt<br><i>Gap</i> | Gesamthöhe<br><i>Total height</i> | Material<br><i>Material</i> |  |
|--------------------------------|----------------------------|-------------------------|---------------------------|---------------------|-----------------------------------|-----------------------------|--|
|                                | Ø1                         | Ø2                      | Ø3                        | h                   | H                                 |                             |  |
| 1031                           | 7,7                        | 5,0                     | 2,0                       | 2,0                 | 5,2                               | EB                          |  |
| 1037                           | 12,0                       | 8,4                     | 5,8                       | 2,5                 | 8,8                               | EB                          |  |
| 1040                           | 24,8                       | 18,7                    | 11,7                      | 1,3                 | 7,5                               | EB                          |  |
| 1051                           | 9,3                        | 6,2                     | 4,0                       | 3,0                 | 6,0                               | EB                          |  |
| 1053                           | 14,3                       | 9,8                     | 8,0                       | 2,0                 | 7,8                               | EB                          |  |
| 1054                           | 12,2                       | 9,3                     | 5,8                       | 1,5                 | 7,0                               | EB                          |  |
| 1067                           | 17,2                       | 13,0                    | 9,5                       | 1,5                 | 8,0                               | EB                          |  |

**Information:**

EB = EPDM, schwarz

Toleranzen nach (DIN ISO 3302, Teil 2 M2F)  
Irrtum vorbehalten

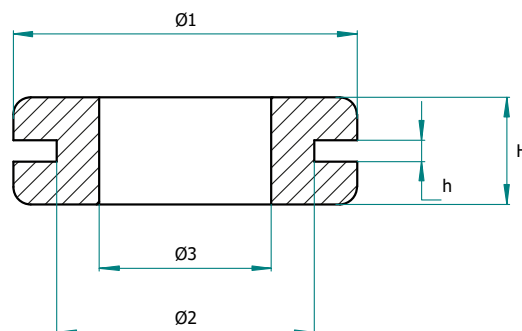
**Information:**

EB = EPDM, black

General measuring tolerances (DIN ISO 3302, section 2 M2F)  
Errors excepted



## KABELDURCHFÜHRUNGEN MIT RADIUS CABLE GROMMETS WITH RADIUS



| Artikel Nr.<br><i>Part no.</i> | Gesamt Ø<br><i>Total Ø</i> | Loch Ø<br><i>Hole Ø</i> | Kabel Ø<br><i>Cable Ø</i> | Spalt<br><i>Gap</i> | Gesamthöhe<br><i>Total height</i> | Material<br><i>Material</i> |  |
|--------------------------------|----------------------------|-------------------------|---------------------------|---------------------|-----------------------------------|-----------------------------|--|
|                                | Ø1                         | Ø2                      | Ø3                        | h                   | H                                 |                             |  |
| 1072                           | 10,5                       | 7,8                     | 5,8                       | 4,1                 | 7,0                               | EB                          |  |
| 1078                           | 7,7                        | 5,0                     | 3,0                       | 1,0                 | 4,4                               | EB                          |  |
| 1079                           | 12,0                       | 9,0                     | 4,5                       | 1,0                 | 5,2                               | EB                          |  |
| 1082                           | 11,2                       | 8,0                     | 6,0                       | 1,0                 | 6,2                               | EB                          |  |
| 1083                           | 15,0                       | 11,7                    | 8,0                       | 2,0                 | 7,0                               | EB                          |  |

**Information:**

EB = EPDM, schwarz

Toleranzen nach (DIN ISO 3302, Teil 2 M2F)  
Irrtum vorbehalten

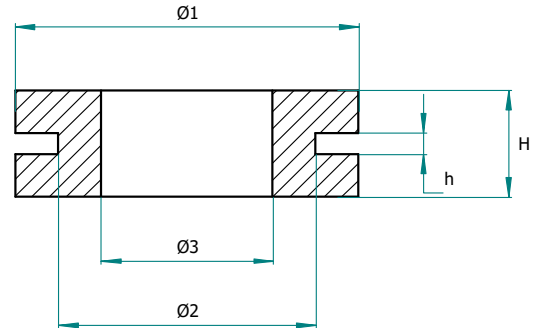
**Information:**

EB = EPDM, black

General measuring tolerances (DIN ISO 3302, section 2 M2F)  
Errors excepted



## KABELDURCHFÜHRUNGEN OHNE RADIUS CABLE GROMMETS WITHOUT RADIUS



| Artikel Nr.<br><i>Part no.</i> | Gesamt Ø<br><i>Total Ø</i> | Loch Ø<br><i>Hole Ø</i> | Kabel Ø<br><i>Cable Ø</i> | Spalt<br><i>Gap</i> | Gesamthöhe<br><i>Total height</i> | Material<br><i>Material</i> |  |
|--------------------------------|----------------------------|-------------------------|---------------------------|---------------------|-----------------------------------|-----------------------------|--|
|                                | Ø1                         | Ø2                      | Ø3                        | h                   | H                                 |                             |  |
| 0980                           | 6,0                        | 4,0                     | 2,7                       | 1,0                 | 4,0                               | EB                          |  |
| 1007                           | 11,0                       | 7,0                     | 4,5                       | 3,0                 | 6,5                               | EB                          |  |
| 1017                           | 16,2                       | 11,6                    | 8,2                       | 1,5                 | 7,0                               | EB                          |  |
| 1038                           | 15,0                       | 10,0                    | 6,0                       | 2,0                 | 6,5                               | EB                          |  |
| 1056                           | 9,0                        | 6,0                     | 4,0                       | 2,0                 | 6,2                               | EB                          |  |
| 1063                           | 6,0                        | 4,3                     | 1,6                       | 0,5                 | 3,0                               | EB                          |  |
| 1064                           | 9,0                        | 6,0                     | 3,6                       | 1,0                 | 5,0                               | EB                          |  |

**Information:**

EB = EPDM, schwarz

Toleranzen nach (DIN ISO 3302, Teil 2 M2F)  
Irrtum vorbehalten

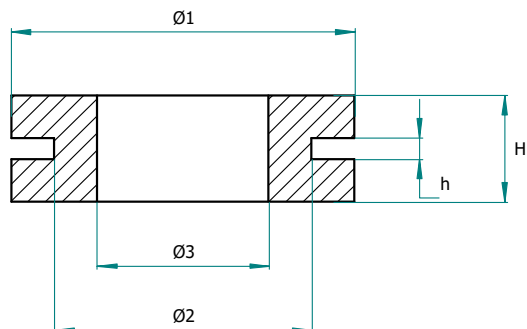
**Information:**

EB = EPDM, black

General measuring tolerances (DIN ISO 3302, section 2 M2F)  
Errors excepted



## KABELDURCHFÜHRUNGEN OHNE RADIUS CABLE GROMMETS WITHOUT RADIUS



| Artikel Nr.<br>Part no. | Gesamt Ø<br>Total Ø | Loch Ø<br>Hole Ø | Kabel Ø<br>Cable Ø | Spalt<br>Gap | Gesamthöhe<br>Total height | Material<br>Material |  |
|-------------------------|---------------------|------------------|--------------------|--------------|----------------------------|----------------------|--|
|                         | Ø1                  | Ø2               | Ø3                 | h            | H                          |                      |  |
| 1073                    | 10,8                | 8,0              | 3,9                | 1,6          | 7,0                        | EB                   |  |
| 1075                    | 13,0                | 10,0             | 6,0                | 2,2          | 5,5                        | EB                   |  |
| 1076                    | 9,0                 | 6,0              | 3,8                | 1,5          | 7,5                        | EB                   |  |
| 1080                    | 6,0                 | 4,3              | 2,5                | 0,6          | 3,0                        | EB                   |  |
| 1081                    | 9,5                 | 7,5              | 4,9                | 2,0          | 5,5                        | EB                   |  |
| 1084                    | 5,0                 | 3,7              | 2,5                | 1,2          | 4,0                        | EB                   |  |

**Information:**

EB = EPDM, schwarz

Toleranzen nach (DIN ISO 3302, Teil 2 M2F)  
Irrtum vorbehalten

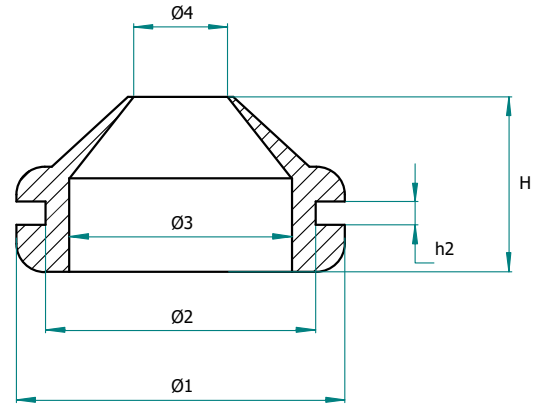
**Information:**

EB = EPDM, black

General measuring tolerances (DIN ISO 3302, section 2 M2F)  
Errors excepted



## KABELDURCHFÜHRUNGEN SONDERFORMEN CABLE GROMMETS SPECIAL FORM



| Artikel Nr.<br><i>Part no.</i> | Gesamt Ø<br><i>Total Ø</i> | Loch Ø<br><i>Hole Ø</i> | Innen Ø<br><i>Inner Ø</i> | Ø4<br><i>Ø4</i> | Gesamthöhe<br><i>Total height</i> | Spalt<br><i>Gap</i> | Material<br><i>Material</i> |  |
|--------------------------------|----------------------------|-------------------------|---------------------------|-----------------|-----------------------------------|---------------------|-----------------------------|--|
|                                | Ø1                         | Ø2                      | Ø3                        | Ø4              | H                                 | h2                  |                             |  |
| 1020                           | 19,7                       | 15,0                    | 11,6                      | 6,5             | 10,0                              | 2,0                 | EB                          |  |
| 1029 <sup>1)</sup>             | 24,5                       | 19,0                    | 14,5                      | 9,0             | 14,5                              | 2,5                 | EB                          |  |
| 1030                           | 24,5                       | 19,8                    | 14,5                      | 8,8             | 14,5                              | 3,5                 | EB                          |  |

**Information:**

EB = EPDM, schwarz

1) = mit variablem Klemmbereich von 1,5 - 2,5mm

Toleranzen nach (DIN ISO 3302, Teil 2 M2F)

Irrtum vorbehalten

**Information:**

EB = EPDM, black

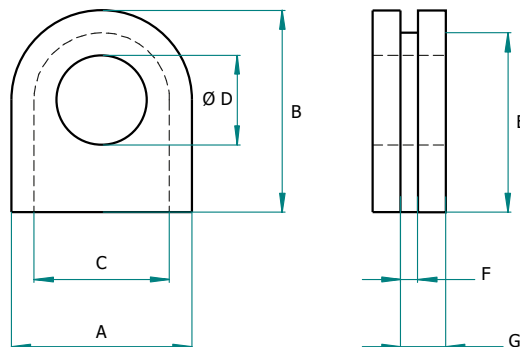
1) = with a variable clamping range of 1.5 – 2.5 mm

General measuring tolerances (DIN ISO 3302, section 2 M2F)

Errors excepted



## KABELDURCHFÜHRUNGEN U-FORM CABLE GROMMETS U-SHAPE



| Artikel Nr.<br>Part no. | Breite<br>Width | Höhe<br>Height | Aussparungsbreite<br>Recess width | Kabel Ø<br>Cable Ø | Aussparungshöhe<br>Recess height | Spaltmaß<br>Clearance | Einbautiefe<br>Installation depth | Material<br>Material |  |
|-------------------------|-----------------|----------------|-----------------------------------|--------------------|----------------------------------|-----------------------|-----------------------------------|----------------------|--|
|                         | A               | B              | C                                 | Ø D                | E                                | F                     | G                                 |                      |  |
| 1033 <sup>1)</sup>      | 19,0            | 19,0           | 13,8                              | 9,3                | 16,3                             | 2,0                   | 4,5                               | EB                   |  |
| 1048 <sup>2)</sup>      | 13,8            | 13,8           | 10,5                              | 7,0                | 12,0                             | 1,5                   | 3,5                               | EB                   |  |
| 1049 <sup>3)</sup>      | 19,0            | 19,0           | 13,8                              | 9,3                | 16,3                             | 2,0                   | 4,5                               | EB                   |  |
| 1059                    | 13,8            | 13,8           | 10,5                              | 7,0                | 12,0                             | 1,5                   | 3,5                               | EB                   |  |

**Information:**

EB = EPDM, schwarz

1) = mit innenliegender Membran. ; 2) = mit vorgelochter Membran

1mm Ø. ; 3) = mit vorgelochter Membran 2mm Ø.

Toleranzen nach (DIN ISO 3302, Teil 2 M2F)

**Information:**

EB = EPDM, black

1) = With inner membrane. ; 2) = Perforated membrane 1mm

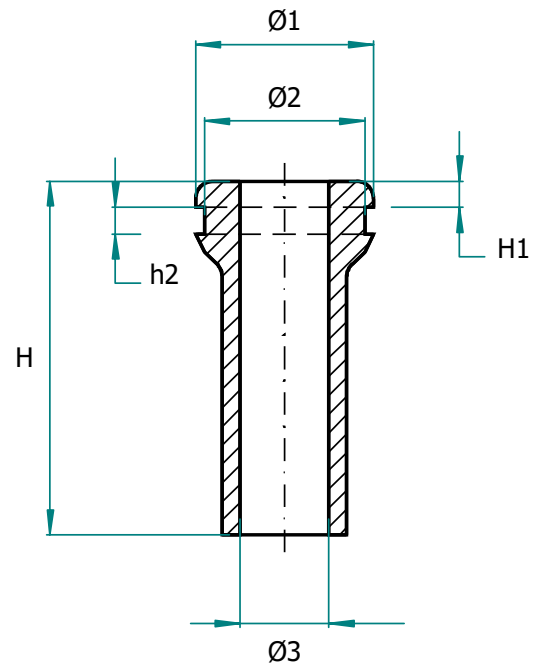
Ø ; 3) = Perforated membrane 2mm Ø

General measuring tolerances (DIN ISO 3302, section 2 M2F)





**KNICKSCHUTZTÜLLEN**  
*BEND RELIEF GROMMETS*



| Artikel Nr.<br><i>Part no.</i> | Gesamt Ø<br><i>Total Ø</i> | Loch Ø<br><i>Hole Ø</i> | Kabel Ø<br><i>Cable Ø</i> | Bundhöhe<br><i>Collar height</i> | Spalt<br><i>Gap</i> | Gesamthöhe<br><i>Total height</i> | Material<br><i>Material</i> |  |
|--------------------------------|----------------------------|-------------------------|---------------------------|----------------------------------|---------------------|-----------------------------------|-----------------------------|--|
|                                | Ø1                         | Ø2                      | Ø3                        | H1                               | h2                  | H                                 |                             |  |
| 0970                           | 5,4                        | 3,5                     | 1,7                       | 1,0                              | 1,5                 | 8,6                               | EB                          |  |
| 0998                           | 6,8                        | 5,0                     | 3,0                       | 2,1                              | 2,0                 | 18,0                              | EB                          |  |
| 1066                           | 9,1                        | 6,8                     | 3,5                       | 2,1                              | 1,5                 | 14,7                              | EB                          |  |

**Information:**

EB = EPDM, schwarz

Toleranzen nach (DIN ISO 3302, Teil 2 M2F)  
Irrtum vorbehalten

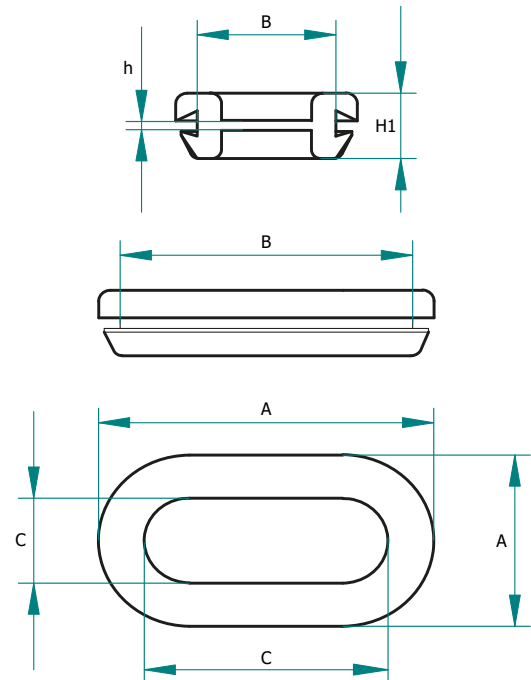
**Information:**

EB = EPDM, black

General measuring tolerances (DIN ISO 3302, section 2 M2F)  
Errors excepted



LANGLOCHTÜLLE  
OBLONG GROMMET



| Artikel Nr.<br>Part no. | Außenmaße<br>Total dimensions | Einbaumaße<br>Installation dimensions | Innenmaße<br>Inner dimensions | Klemmbereich<br>Gap | Gesamthöhe<br>Total height | Membrandicke<br>Membrane thickness | Material<br>Material |  |
|-------------------------|-------------------------------|---------------------------------------|-------------------------------|---------------------|----------------------------|------------------------------------|----------------------|--|
|                         | A                             | B                                     | C                             | h                   | H1                         | M                                  |                      |  |
| 1027 <sup>1)</sup>      | 35,0 x 17,0                   | 30,0 x 12,0                           | 26,6 x 8,3                    | 2,8                 | 6,3                        | 1,0                                | EB                   |  |
| 1028 <sup>2)</sup>      | 35,0 x 17,0                   | 30,0 x 12,0                           | 26,6 x 8,3                    | 2,8                 | 6,3                        | 1,0                                | EB                   |  |
| 1097                    | 29,0 x 16,0                   | 25,0 x 12,0                           | 21,0 x 8,0                    | 1 - 2,5             | 6,0                        | 0,8                                | EB                   |  |
| 1098                    | 42,0 x 19,0                   | 37,0 x 14,0                           | 33,0 x 10,0                   | 1 - 2,5             | 7,0                        | 0,8                                | EB                   |  |
| 1099                    | 58,0 x 24,0                   | 50,0 x 16,0                           | 46,0 x 12,0                   | 1 - 2,5             | 9,0                        | 1,0                                | EB                   |  |

**Information:**

EB = EPDM, schwarz

1) = mit Lochung (Durchmesserzeichen) 5,5 mm (9 mm außermittig, links) und Lochvorprägung (Durchmesserzeichen) 3 mm (2 mm aussermittig, rechts) ; 2) = mit aussenliegender Membran

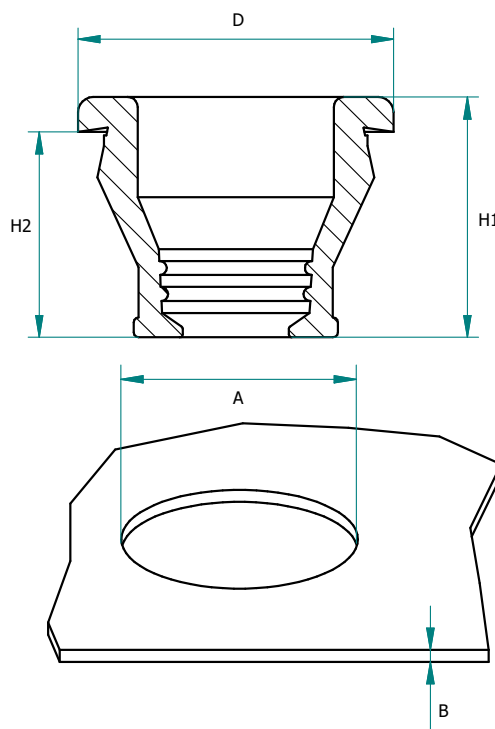
**Information:**

EB = EPDM, black

1) = with perforation (diameter mark) 5.5 mm (9 mm off-centre, left) and hole pre-embossing (diameter mark) 3 mm (2 mm off-centre, right) ; 2) = with outer membrane



SNAP<sup>®</sup> EASY TIGHT  
SNAP<sup>®</sup> EASY-TIGHT



| Artikel Nr.<br>Part no. | Nennmaß<br>Nominal size | Kabel Ø<br>Cable Ø | Loch Ø<br>Panel hole size | Wandstärke<br>Panel thickness | Gesamt Ø<br>Total Ø | Gesamthöhe<br>Total height | Einbautiefe<br>Installation depth | Material<br>Material |  |
|-------------------------|-------------------------|--------------------|---------------------------|-------------------------------|---------------------|----------------------------|-----------------------------------|----------------------|--|
|                         |                         |                    | A                         | B                             | D                   | H1                         | H2                                |                      |  |
| 1490                    | M 10                    | 1,5 - 4,0          | 10,5                      | 1 - 4,0                       | 14,0                | 18,5                       | 15,0                              | EB                   |  |
| 1491                    | M 12 / PG 7             | 4 - 6              | 12,5                      | 1 - 4,0                       | 16,0                | 20,5                       | 17,0                              | EB                   |  |
| 1492                    | M 16 / PG 9             | 6 - 9              | 16,5                      | 1 - 4,0                       | 21,0                | 22,0                       | 18,5                              | EB                   |  |
| 1493                    | M 20                    | 9 - 12             | 20,5                      | 1 - 4,0                       | 25,5                | 22,0                       | 18,5                              | EB                   |  |
| 1494                    | M 25                    | 12 - 16            | 25,5                      | 1 - 4,0                       | 31,5                | 24,0                       | 20,5                              | EB                   |  |
| 1495                    | M 32                    | 16 - 20            | 32,5                      | 1 - 6,0                       | 38,0                | 27,5                       | 23,5                              | EB                   |  |
| 1496                    | M 40                    | 20 - 26            | 40,5                      | 1 - 6,0                       | 46,5                | 28,5                       | 24,5                              | EB                   |  |

**Information:**

EB = EPDM, schwarz

Toleranzen nach (DIN ISO 3302, Teil 2 M2F)  
Irrtum vorbehalten

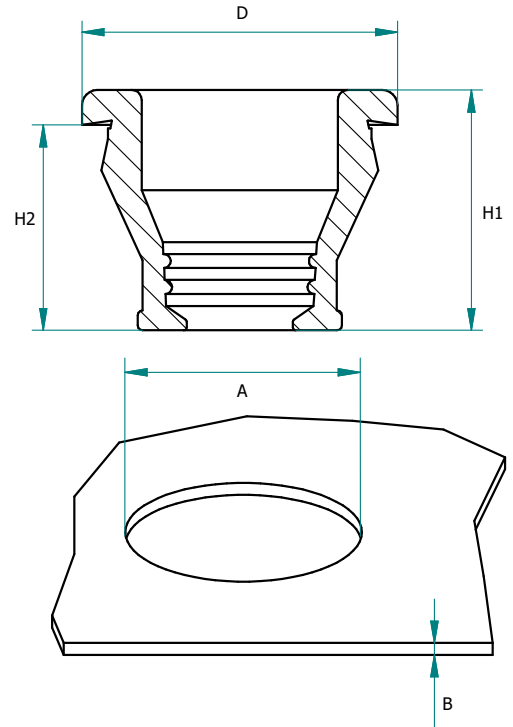
**Information:**

EB = EPDM, black

General measuring tolerances (DIN ISO 3302, section 2 M2F)  
Errors excepted



SNAP<sup>®</sup> EASY TIGHT  
SNAP<sup>®</sup> EASY-TIGHT



| Artikel Nr.<br><i>Part no.</i> | Nennmaß<br><i>Nominal size</i> | Kabel Ø<br><i>Cable Ø</i> | Loch Ø<br><i>Panel hole size</i> | Wandstärke<br><i>Panel thickness</i> | Gesamt Ø<br><i>Total Ø</i> | Gesamthöhe<br><i>Total height</i> | Einbautiefe<br><i>Installation depth</i> | Material<br><i>Material</i> |  |
|--------------------------------|--------------------------------|---------------------------|----------------------------------|--------------------------------------|----------------------------|-----------------------------------|--|-----------------------------|--|
|                                |                                |                           | <b>A</b>                         | <b>B</b>                             | <b>D</b>                   | <b>H1</b>                         | <b>H2</b>                                |                             |  |
| 1497                           | M 50                           | 26 - 35                   | 50,5                             | 1 - 6,0                              | 58,0                       | 30,0                              | 25,5                                     | EB                          |  |

**Information:**

EB = EPDM, schwarz

Toleranzen nach (DIN ISO 3302, Teil 2 M2F)  
Irrtum vorbehalten

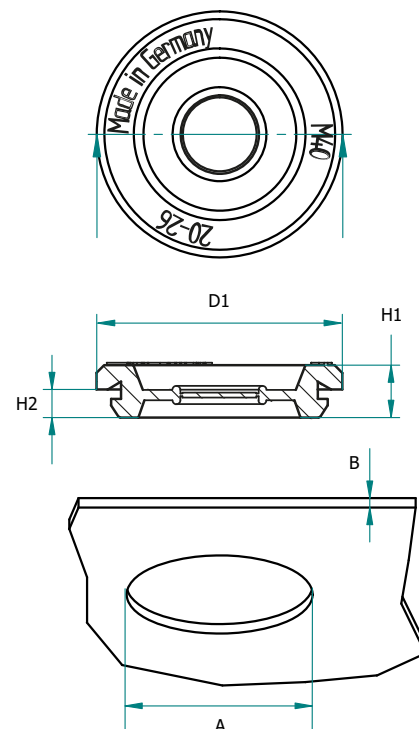
**Information:**

EB = EPDM, black

General measuring tolerances (DIN ISO 3302, section 2 M2F)  
Errors excepted



SNAP<sup>®</sup> METRIC LIGHT  
SNAP<sup>®</sup> METRIC LIGHT



| Artikel Nr.<br>Part no. | Nennmaß<br>Nominal size | Kabel Ø<br>Cable Ø | Loch Ø<br>Panel hole size | Wandstärke<br>Panel thickness | Gesamt Ø<br>Total Ø | Innen Ø<br>Inner Ø | Gesamthöhe<br>Total height | Einbautiefe<br>Installation depth | Material<br>Material |  |
|-------------------------|-------------------------|--------------------|---------------------------|-------------------------------|---------------------|--------------------|----------------------------|-----------------------------------|----------------------|--|
|                         |                         |                    | A                         | B                             | Ø D1                | Ø D2               | H1                         | H2                                |                      |  |
| 1600                    | M 12 / PG 7             | 3 - 5              | 12,5                      | 1 - 2,5                       | 18,5                | -                  | 7,5                        | 2,5                               | EB, SB               |  |
| 1601                    | M 16 / PG 9             | 5 - 7              | 16,5                      | 1 - 2,5                       | 22,5                | -                  | 7,5                        | 2,5                               | EB, SB               |  |
| 1602                    | M 20                    | 7 - 10             | 20,5                      | 1 - 2,5                       | 26,5                | -                  | 7,5                        | 2,5                               | EB, SB               |  |
| 1603                    | M 25                    | 10 - 14            | 25,5                      | 1 - 2,5                       | 31,5                | -                  | 7,5                        | 2,5                               | EB, SB               |  |
| 1604                    | M 32                    | 14 - 20            | 32,5                      | 1 - 2,5                       | 39,0                | -                  | 9,0                        | 3,0                               | EB, SB               |  |
| 1605                    | M 40                    | 20 - 26            | 40,5                      | 1 - 3,5                       | 49,0                | -                  | 10,5                       | 3,5                               | EB, SB               |  |
| 1606                    | M 50                    | 26 - 35            | 50,5                      | 1 - 3,5                       | 58,5                | -                  | 11,0                       | 4,0                               | EB, SB               |  |

**Information:**

EB = EPDM, schwarz ; SB = Silikon, schwarz

Toleranzen nach (DIN ISO 3302, Teil 2 M2F)  
Irrtum vorbehalten

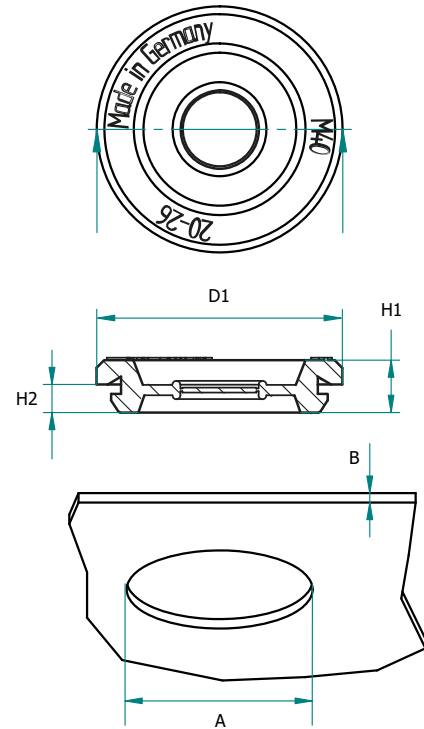
**Information:**

EB = EPDM, black ; SB = Silicon, black

General measuring tolerances (DIN ISO 3302, section 2 M2F)  
Errors excepted



SNAP<sup>®</sup> METRIC LIGHT  
SNAP<sup>®</sup> METRIC LIGHT



| Artikel Nr.<br><i>Part no.</i> | Nennmaß<br><i>Nominal size</i> | Kabel Ø<br><i>Cable Ø</i> | Loch Ø<br><i>Panel hole size</i> | Wandstärke<br><i>Panel thickness</i> | Gesamt Ø<br><i>Total Ø</i> | Innen Ø<br><i>Inner Ø</i> | Gesamthöhe<br><i>Total height</i> | Einbautiefe<br><i>Installation depth</i> | Material<br><i>Material</i> |
|--------------------------------|--------------------------------|---------------------------|----------------------------------|--------------------------------------|----------------------------|---------------------------|-----------------------------------|--|-----------------------------|
|                                |                                |                           | A                                | B                                    | Ø D1                       | Ø D2                      | H1                                | H2                                       |                             |
| 1607                           | M 63                           | 35 - 40                   | 63,5                             | 1 - 3,5                              | 71,5                       | -                         | 11,5                              | 4,5                                      | EB, SB                      |



**Information:**

EB = EPDM, schwarz ; SB = Silikon, schwarz

Toleranzen nach (DIN ISO 3302, Teil 2 M2F)  
Irrtum vorbehalten

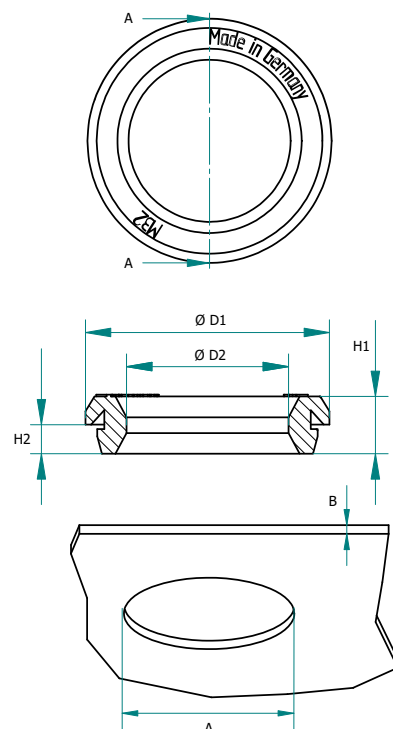
**Information:**

EB = EPDM, black ; SB = Silicon, black

General measuring tolerances (DIN ISO 3302, section 2 M2F)  
Errors excepted



SNAP<sup>®</sup> METRIC LIGHT OPEN  
SNAP<sup>®</sup> METRIC LIGHT OPEN



| Artikel Nr.<br><i>Part no.</i> | Nennmaß<br><i>Nominal size</i> | Kabel Ø<br><i>Cable Ø</i> | Loch Ø<br><i>Panel hole size</i> | Wandstärke<br><i>Panel thickness</i> | Gesamt Ø<br><i>Total Ø</i> | Innen Ø<br><i>Inner Ø</i> | Gesamthöhe<br><i>Total height</i> | Einbautiefe<br><i>Installation depth</i> | Material<br><i>Material</i> |  |
|--------------------------------|--------------------------------|---------------------------|----------------------------------|--------------------------------------|----------------------------|---------------------------|-----------------------------------|--|-----------------------------|--|
|                                |                                |                           | A                                | B                                    | Ø D1                       | Ø D2                      | H1                                | H2                                       |                             |  |
| 3000                           | M 12 / PG 7                    | 0 - 9,0                   | 12,5                             | 1 - 2,5                              | 18,5                       | 9,0                       | 7,5                               | 2,5                                      | EB                          |  |
| 3001                           | M 16 / PG 9                    | 0 - 12,0                  | 16,5                             | 1 - 2,5                              | 22,5                       | 12,0                      | 7,5                               | 2,5                                      | EB                          |  |
| 3002                           | M 20                           | 0 - 16,0                  | 20,5                             | 1 - 2,5                              | 26,5                       | 16,0                      | 7,5                               | 2,5                                      | EB                          |  |
| 3003                           | M 25                           | 0 - 20,0                  | 25,5                             | 1 - 2,5                              | 31,5                       | 20,0                      | 7,5                               | 2,5                                      | EB                          |  |
| 3004                           | M 32                           | 0 - 25,5                  | 32,5                             | 1 - 2,5                              | 39,0                       | 25,5                      | 9,0                               | 3,0                                      | EB                          |  |
| 3005                           | M 40                           | 0 - 32,0                  | 40,5                             | 1 - 3,5                              | 49,0                       | 32,0                      | 10,5                              | 3,5                                      | EB                          |  |
| 3006                           | M 50                           | 0 - 41,0                  | 50,5                             | 1 - 3,5                              | 58,5                       | 41,0                      | 11,0                              | 4,0                                      | EB                          |  |

**Information:**

EB = EPDM, schwarz

Toleranzen nach (DIN ISO 3302, Teil 2 M2F)  
Irrtum vorbehalten

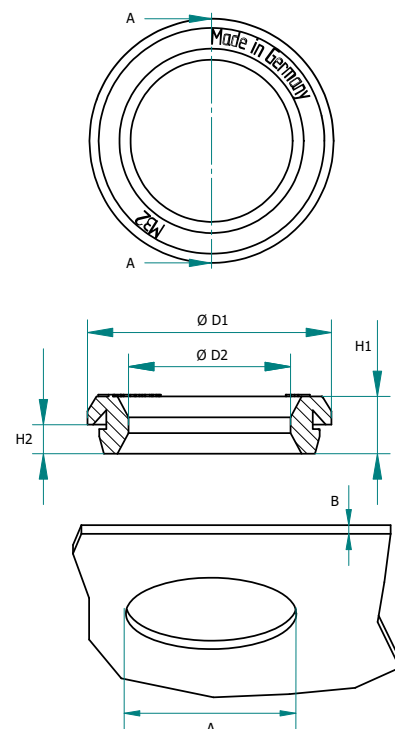
**Information:**

EB = EPDM, black

General measuring tolerances (DIN ISO 3302, section 2 M2F)  
Errors excepted



SNAP<sup>®</sup> METRIC LIGHT OPEN  
SNAP<sup>®</sup> METRIC LIGHT OPEN



| Artikel Nr.<br><i>Part no.</i> | Nennmaß<br><i>Nominal size</i> | Kabel Ø<br><i>Cable Ø</i> | Loch Ø<br><i>Panel hole size</i> | Wandstärke<br><i>Panel thickness</i> | Gesamt Ø<br><i>Total Ø</i> | Innen Ø<br><i>Inner Ø</i> | Gesamthöhe<br><i>Total height</i> | Einbautiefe<br><i>Installation depth</i> | Material<br><i>Material</i> |  |
|--------------------------------|--------------------------------|---------------------------|----------------------------------|--------------------------------------|----------------------------|---------------------------|-----------------------------------|--|-----------------------------|--|
|                                |                                |                           | A                                | B                                    | Ø D1                       | Ø D2                      | H1                                | H2                                       | EB                          |  |
| 3007                           | M 63                           | 0 - 53,0                  | 63,5                             | 1 - 3,5                              | 71,5                       | 53,0                      | 11,5                              | 4,5                                      | EB                          |  |

**Information:**

EB = EPDM, schwarz

Toleranzen nach (DIN ISO 3302, Teil 2 M2F)  
Irrtum vorbehalten

**Information:**

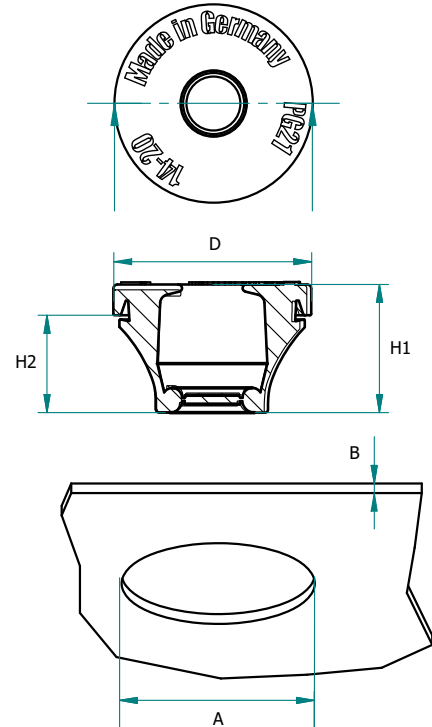
EB = EPDM, black

General measuring tolerances (DIN ISO 3302, section 2 M2F)  
Errors excepted





SNAP® PG  
SNAP® PG



| Artikel Nr.<br>Part no. | Nennmaß<br>Nominal size | Kabel Ø<br>Cable Ø | Loch Ø<br>Panel hole size | Wandstärke<br>Panel thickness | Gesamt Ø<br>Total Ø | Gesamthöhe<br>Total height |           | Material<br>Material |  |
|-------------------------|-------------------------|--------------------|---------------------------|-------------------------------|---------------------|----------------------------|-----------|----------------------|--|
|                         |                         |                    | <b>A</b>                  | <b>B</b>                      | <b>D</b>            | <b>H1</b>                  | <b>H2</b> |                      |  |
| 1102                    | PG 11                   | 7 - 10             | 19,0                      | 1,0 - 4,0                     | 24,0                | 19,5                       | 13,5      | EG, EB, CB, SB       |  |
| 1103                    | PG 16                   | 10 - 14            | 23,0                      | 1,0 - 4,0                     | 28,0                | 22,5                       | 16,0      | EG, EB, CB, SB       |  |
| 1104                    | PG 21                   | 14 - 20            | 29,0                      | 1,0 - 4,0                     | 35,0                | 24,5                       | 17,5      | EG, EB, CB, SB       |  |
| 1105                    | PG 29                   | 20 - 26            | 38,0                      | 1,0 - 4,0                     | 46,0                | 30,0                       | 21,0      | EG, EB, CB, SB       |  |
| 1106                    | PG 36                   | 26 - 35            | 48,0                      | 1,0 - 4,0                     | 58,0                | 35,0                       | 25,0      | EG, EB, CB, SB       |  |
| 1200                    | M 12 / PG 7             | 3 - 5              | 12,5                      | 1,0 - 4,0                     | 18,5                | 17,0                       | 10,5      | EG, EB, CB, SB       |  |
| 1201                    | M 16 / PG 9             | 5 - 7              | 16,5                      | 1,0 - 4,0                     | 21,5                | 19,0                       | 12,0      | EG, EB, CB, SB       |  |

**Information:**

EG = EPDM, grau ; EB = EPDM, schwarz ; CB = CR, schwarz ; SB = Silikon, schwarz

IP66 / IP67, fachgerechte Montage vorausgesetzt  
Toleranzen nach (DIN ISO 3302, Teil 2 M2F)

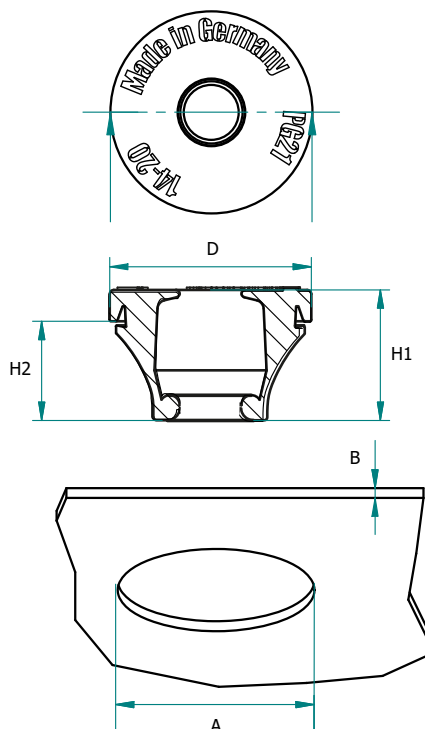
**Information:**

EG = EPDM, gray ; EB = EPDM, black ; CB = CR, black ; SB = Silicon, black

IP66 / IP67  
General measuring tolerances (DIN ISO 3302, section 2 M2F)



SNAP® PG OPEN  
SNAP® PG OPEN



| Artikel Nr.<br>Part no. | Nennmaß<br>Nominal size | Kabel Ø<br>Cable Ø | Loch Ø<br>Panel hole size | Wandstärke<br>Panel thickness | Gesamt Ø<br>Total Ø | Gesamthöhe<br>Total height |      | Material<br>Material |  |
|-------------------------|-------------------------|--------------------|---------------------------|-------------------------------|---------------------|----------------------------|------|----------------------|--|
|                         |                         |                    | A                         | B                             |                     | H1                         | H2   |                      |  |
| 1112                    | PG 11                   | 7 - 10             | 19,0                      | 1,0 - 4,0                     | 24,0                | 19,5                       | 13,5 | EG, EB, SB           |  |
| 1113                    | PG 16                   | 10 - 14            | 23,0                      | 1,0 - 4,0                     | 28,0                | 22,5                       | 16,0 | EG, EB, SB           |  |
| 1114                    | PG 21                   | 14 - 20            | 29,0                      | 1,0 - 4,0                     | 35,0                | 24,5                       | 17,5 | EG, EB, SB           |  |
| 1115                    | PG 29                   | 20 - 26            | 38,0                      | 1,0 - 4,0                     | 46,0                | 30,0                       | 21,0 | EG, EB, SB           |  |
| 1116                    | PG 36                   | 26 - 35            | 48,0                      | 1,0 - 4,0                     | 58,0                | 35,0                       | 25,0 | EG, EB, SB           |  |
| 1210 <sup>1)</sup>      | M 12 / PG 7             | 3 - 5              | 12,5                      | 1,0 - 4,0                     | 18,5                | 17,0                       | 10,5 | EG, EB, SB           |  |
| 1211                    | M 16 / PG 9             | 5 - 7              | 16,5                      | 1,0 - 4,0                     | 21,5                | 19,0                       | 12,0 | EG, EB, SB           |  |

**Information:**

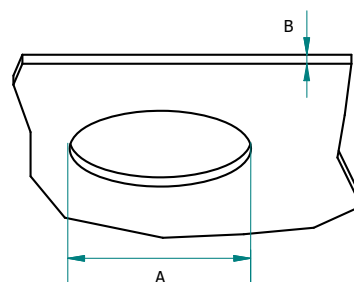
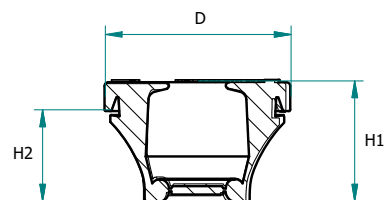
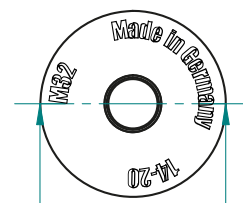
EG = EPDM, grau ; EB = EPDM, schwarz ; SB = Silikon, schwarz  
1) = IP66 / IP67, fachgerechte Montage vorausgesetzt  
Toleranzen nach (DIN ISO 3302, Teil 2 M2F)  
Irrtum vorbehalten








**Information:**

EG = EPDM, gray ; EB = EPDM, black ; SB = Silicon, black  
1) = IP66 / IP67  
General measuring tolerances (DIN ISO 3302, section 2 M2F)  
Errors excepted



SNAP<sup>®</sup> METRIC  
SNAP<sup>®</sup> METRIC



| Artikel Nr.<br>Part no. | Nennmaß<br>Nominal size | Kabel Ø<br>Cable Ø | Loch Ø<br>Panel hole size | Wandstärke<br>Panel thickness | Gesamt Ø<br>Total Ø | Gesamthöhe<br>Total height | H1   | H2             | Material<br>Material  |  |
|-------------------------|-------------------------|--------------------|---------------------------|-------------------------------|---------------------|----------------------------|------|----------------|---|--|
|                         |                         |                    | A                         | B                             |                     |                            |      |                |   |  |
| 1200                    | M 12 / PG 7             | 3 - 5              | 12,5                      | 1,0 - 4,0                     | 18,5                | 17,0                       | 10,5 | EG, EB, CB, SB |  |  |
| 1201                    | M 16 / PG 9             | 5 - 7              | 16,5                      | 1,0 - 4,0                     | 21,5                | 19,0                       | 12,0 | EG, EB, CB, SB |  |  |
| 1202                    | M 20                    | 7 - 10             | 20,5                      | 1,0 - 4,0                     | 25,5                | 20,5                       | 14,0 | EG, EB, CB, SB |  |  |
| 1203                    | M 25                    | 10 - 14            | 25,5                      | 1,0 - 4,0                     | 30,5                | 23,0                       | 15,5 | EG, EB, CB, SB |  |  |
| 1204                    | M 32                    | 14 - 20            | 32,5                      | 1,0 - 4,0                     | 38,5                | 25,0                       | 18,0 | EG, EB, CB, SB |  |  |
| 1205                    | M 40                    | 20 - 26            | 40,5                      | 1,0 - 4,0                     | 49,0                | 32,0                       | 22,0 | EG, EB, CB, SB |  |  |
| 1206                    | M 50                    | 26 - 35            | 50,5                      | 1,0 - 4,0                     | 60,5                | 37,5                       | 25,5 | EG, EB, CB, SB |  |  |

**Information:**

EG = EPDM, grau ; EB = EPDM, schwarz ; CB = CR, schwarz ; SB = Silikon, schwarz

IP66 / IP67, fachgerechte Montage vorausgesetzt  
Toleranzen nach (DIN ISO 3302, Teil 2 M2F)

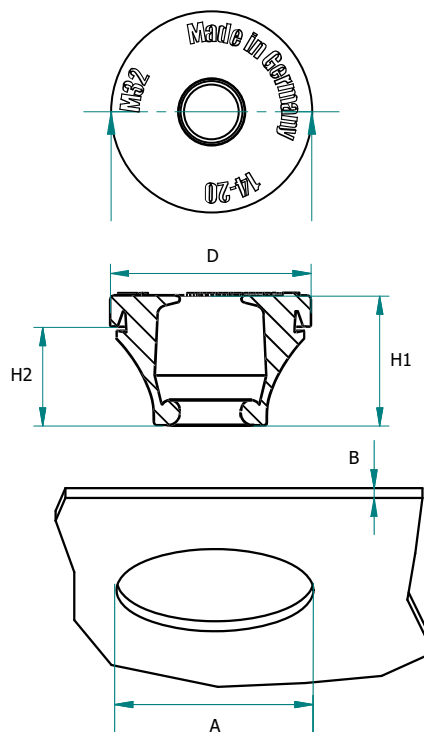
**Information:**

EG = EPDM, gray ; EB = EPDM, black ; CB = CR, black ; SB = Silicon, black

IP66 / IP67  
General measuring tolerances (DIN ISO 3302, section 2 M2F)



SNAP<sup>®</sup> METRIC OPEN  
SNAP<sup>®</sup> METRIC OPEN



| Artikel Nr.<br>Part no. | Nennmaß<br>Nominal size | Kabel Ø<br>Cable Ø | Loch Ø<br>Panel hole size | Wandstärke<br>Panel thickness | Gesamt Ø<br>Total Ø | Gesamthöhe<br>Total height |      | Material<br>Material |  |
|-------------------------|-------------------------|--------------------|---------------------------|-------------------------------|---------------------|----------------------------|------|----------------------|--|
|                         |                         |                    | A                         | B                             |                     | H1                         | H2   |                      |  |
| 1210 <sup>1)</sup>      | M12 / PG 7              | 3 - 5              | 12,5                      | 1,0 - 4,0                     | 18,5                | 17,0                       | 10,5 | EG, EB, SB           |  |
| 1211                    | M 16 / PG 9             | 5 - 7              | 16,5                      | 1,0 - 4,0                     | 21,5                | 19,0                       | 12,0 | EG, EB, SB           |  |
| 1212                    | M 20                    | 7 - 10             | 20,5                      | 1,0 - 4,0                     | 25,5                | 20,5                       | 14,0 | EG, EB, SB           |  |
| 1213                    | M 25                    | 10 - 14            | 25,5                      | 1,0 - 4,0                     | 30,5                | 23,0                       | 15,5 | EG, EB, SB           |  |
| 1214                    | M 32                    | 14 - 20            | 32,5                      | 1,0 - 4,0                     | 38,5                | 25,0                       | 18,0 | EG, EB, SB           |  |
| 1215                    | M 40                    | 20 - 26            | 40,5                      | 1,0 - 4,0                     | 49,0                | 32,0                       | 22,0 | EG, EB, SB           |  |
| 1216                    | M 50                    | 26 - 35            | 50,5                      | 1,0 - 4,0                     | 60,5                | 37,5                       | 25,5 | EG, EB, SB           |  |

**Information:**

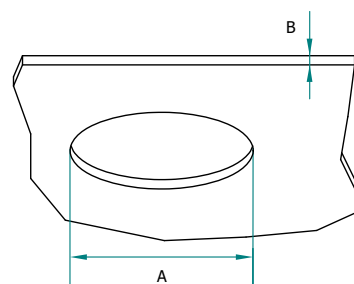
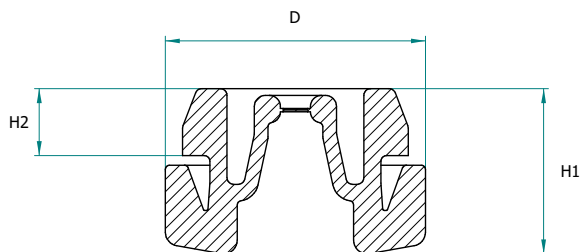
EG = EPDM, grau ; EB = EPDM, schwarz ; SB = Silikon, schwarz  
1) = IP66 / IP67, fachgerechte Montage vorausgesetzt  
Toleranzen nach (DIN ISO 3302, Teil 2 M2F)  
Irrtum vorbehalten

**Information:**

EG = EPDM, gray ; EB = EPDM, black ; SB = Silicon, black  
1) = IP66 / IP67  
General measuring tolerances (DIN ISO 3302, section 2 M2F)  
Errors excepted



SNAP<sup>®</sup> MULTIFLEX  
SNAP<sup>®</sup> MULTIFLEX



| Artikel Nr.<br>Part no. | Nennmaß<br>Nominal size | Loch Ø<br>Panel hole size | Wandstärke<br>Panel thickness | Kabel Ø<br>Cable Ø | Gesamt Ø<br>Total Ø | Gesamthöhe<br>Total height | Höhe<br>Height | Material<br>Material |             |
|-------------------------|-------------------------|---------------------------|-------------------------------|--------------------|---------------------|----------------------------|----------------|----------------------|-------------|
|                         |                         | A                         | B                             |                    | D                   | H1                         | H2             |                      |             |
| 4000                    | M 12 / PG 7             | 12,5                      | 1 - 4,0                       | 2 - 6              | 19,0                | 12,0                       | 5,0            | EG, SB, EB           | COMING SOON |
| 4001                    | M 16 / PG 9             | 16,5                      | 1 - 4,0                       | 4 - 8              | 22,0                | 12,0                       | 5,0            | EG, SB, EB           | COMING SOON |
| 4002                    | M 20                    | 20,5                      | 1 - 4,0                       | 7 - 12             | 27,0                | 12,50                      | 5,0            | EG, SB, EB           | COMING SOON |
| 4003                    | M 25                    | 25,5                      | 1 - 4,0                       | 8 - 16             | 33,0                | 12,70                      | 5,0            | EG, SB, EB           | COMING SOON |

**Information:**

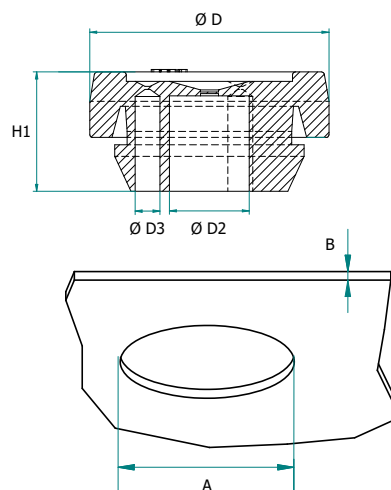
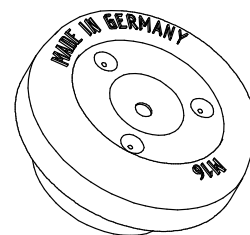
EG = EPDM, grau ; SB = Silikon, schwarz ; EB = EPDM, schwarz  
IP66 / IP67, fachgerechte Montage vorausgesetzt  
Toleranzen nach (DIN ISO 3302, Teil 2 M2F)  
Irrtum vorbehalten

**Information:**

EG = EPDM, gray ; SB = Silicon, black ; EB = EPDM, black  
IP66/67  
General measuring tolerances (DIN ISO 3302, section 2 M2F)  
Errors excepted



SNAP<sup>®</sup> MULTIGATE  
SNAP<sup>®</sup> MULTIGATE



| Artikel Nr.<br>Part no. | Nennmaß<br>Nominal size | Loch Ø<br>Panel hole size | Wandstärke<br>Panel thickness | Gesamt Ø<br>Total Ø | Innen Ø<br>Inner Ø | Innen Ø /<br>(Kabel Ø)<br>Inner Ø /<br>(Cable Ø) | Gesamthöhe<br>Total height | Innen Ø<br>Inner Ø | Innen Ø /<br>(Kabel Ø)<br>Inner Ø /<br>(Cable Ø) | Material<br>Material |  |
|-------------------------|-------------------------|---------------------------|-------------------------------|---------------------|--------------------|--|----------------------------|--------------------|--|----------------------|--|
|                         |                         | A                         | B                             | D                   | Ø D2               |  | H1                         | Ø D3               |  |                      |  |
| 3100                    | M 16 / PG 9             | 16,5                      | 1 - 4,0                       | 24,0                | 1 x 8,0            | 1 x 8,0  | 12,0                       | 3 x 2,5            | 3 x 2,5  | EB, EG               |  |
| 3101                    | M 20                    | 20,5                      | 1 - 4,0                       | 27,5                | -                  | 3 x 8,0  | 12,0                       | -                  | -  | EB, EG               |  |
| 3102                    | M 25                    | 25,5                      | 1 - 4,0                       | 32,5                | -                  | 4 x 8,0  | 12,0                       | -                  | -  | EB, EG               |  |
| 3103                    | M 32                    | 32,5                      | 1 - 4,0                       | 41                  | -                  | 4 x 11,0   | 12,75                      | -                  | -  | EB, EG               |  |

**Information:**

EB = EPDM, schwarz ; EG = EPDM, grau

Toleranzen nach (DIN ISO 3302, Teil 2 M2F)  
Irrtum vorbehalten

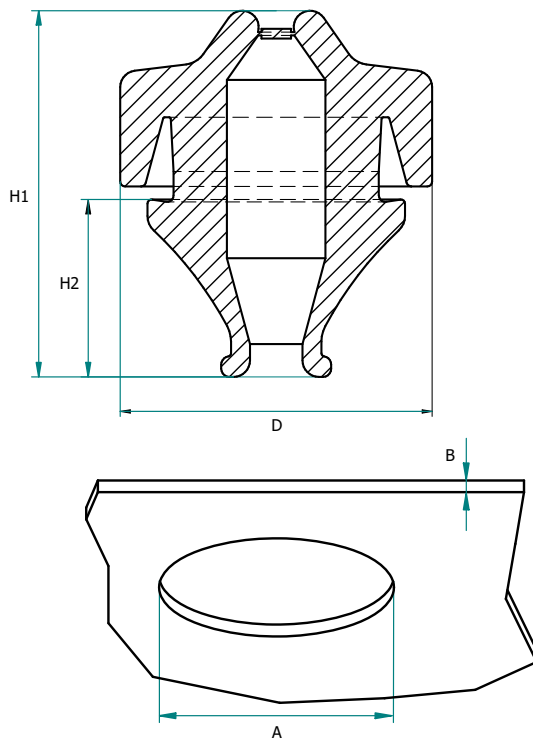
**Information:**





EB = EPDM, black ; EG = EPDM, gray

General measuring tolerances (DIN ISO 3302, section 2 M2F)  
Errors excepted



SNAP<sup>®</sup> - DNG  
SNAP<sup>®</sup> - DNG



| Artikel Nr.<br>Part no. | Nennmaß<br>Nominal size | Wandstärke<br>Panel thickness | Loch Ø<br>Panel hole size | Kabel Ø<br>Cable Ø | Gesamt Ø<br>Total Ø | Gesamthöhe<br>Total height | Höhe<br>Height | Material<br>Material |   |
|-------------------------|-------------------------|-------------------------------|---------------------------|--------------------|---------------------|----------------------------|----------------|----------------------|---|
|                         |                         | <b>B</b>                      | <b>A</b>                  |                    |                     | <b>H1</b>                  |                |                      |   |
| 4500                    | M 12 / PG 7             | 1,0 - 5,0                     | 12,5                      | 3,0 - 5,0          | 19,0                | 22,25                      | 10,5           | EG, EB               |  |
| 4501                    | M 16 / PG 9             | 1,0 - 5,0                     | 16,5                      | 5,0 - 7,0          | 22,25               | 22,75                      | 11,0           | EG, EB               |  |
| 4502                    | M20                     | 1,0 - 5,0                     | 20,5                      | 7,0 - 10,0         | 27,0                | 24,25                      | 12,5           | EG, EB               |  |
| 4503                    | M25                     | 1,0 - 5,0                     | 25,5                      | 10,0 - 14,0        | 32,0                | 24,5                       | 12,75          | EG, EB               |  |

**Information:**

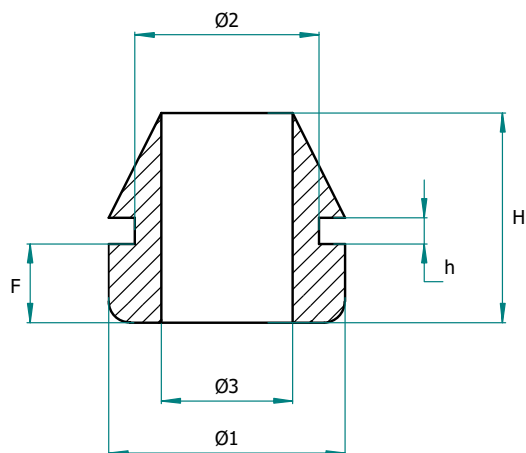
EG = EPDM, grau ; EB = EPDM, schwarz  
IP66 / IP67, fachgerechte Montage vorausgesetzt  
Toleranzen nach (DIN ISO 3302, Teil 2 M2F)  
Irrtum vorbehalten

**Information:**

EG = EPDM, gray ; EB = EPDM, black  
IP66 / IP67  
General measuring tolerances (DIN ISO 3302, section 2 M2F)  
Errors excepted



# KABELDURCHFÜHRUNGEN SONDERFORMEN CABLE GROMMETS SPECIAL FORM



| Artikel Nr.<br><i>Part no.</i> | Gesamt Ø<br><i>Total Ø</i> | Loch Ø<br><i>Hole Ø</i> | Kabel Ø<br><i>Cable Ø</i> | Spalt<br><i>Gap</i> | Gesamthöhe<br><i>Total height</i> | Kopfhöhe<br><i>Head height</i> | Material<br><i>Material</i> |  |
|--------------------------------|----------------------------|-------------------------|---------------------------|---------------------|-----------------------------------|--------------------------------|-----------------------------|--|
|                                | Ø1                         | Ø2                      | Ø3                        | h                   | H                                 | F                              |                             |  |
| 0996                           | 8,0                        | 5,0                     | 2,4                       | 1,5                 | 6,0                               | 1,5                            | EB                          |  |
| 1002                           | 10,0                       | 7,0                     | 5,0                       | 1,5                 | 6,7                               | 1,5                            | EB                          |  |
| 1003                           | 11,7                       | 8,5                     | 6,5                       | 1,5                 | 7,0                               | 1,5                            | EB                          |  |
| 1089                           | 11,7                       | 9,8                     | 6,8                       | 1,0                 | 8,2                               | 3,5                            | EB                          |  |

**Information:**

EB = EPDM, schwarz

Toleranzen nach (DIN ISO 3302, Teil 2 M2F)  
Irrtum vorbehalten

**Information:**

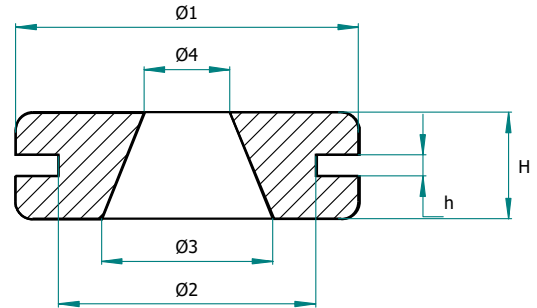
EB = EPDM, black



General measuring tolerances (DIN ISO 3302, section 2 M2F)  
Errors excepted





## KABELDURCHFÜHRUNGEN MIT REDUZIERTEM DURCHGANG CABLE GROMMETS SPECIAL FORM



| Artikel Nr.<br><i>Part no.</i> | Gesamt Ø<br><i>Total Ø</i> | Loch Ø<br><i>Hole Ø</i> | Ø3<br><i>Ø3</i> | Ø4<br><i>Ø4</i> | Gesamthöhe<br><i>Total height</i> | Spalt<br><i>Gap</i> | Material<br><i>Material</i> |   |
|--------------------------------|----------------------------|-------------------------|-----------------|-----------------|-----------------------------------|---------------------|-----------------------------|---|
|                                | Ø1                         | Ø2                      | Ø3              | Ø4              | H                                 | h                   |                             |   |
| 1044                           | 15,0                       | 11,0                    | 8,0             | 7,0             | 7,0                               | 2,0                 | EB                          |  |
| 1062                           | 15,7                       | 10,7                    | 10,7            | 4,3             | 5,0                               | 1,5                 | EB                          |  |

**Information:**

EB = EPDM, schwarz

Toleranzen nach (DIN ISO 3302, Teil 2 M2F)  
Irrtum vorbehalten

**Information:**

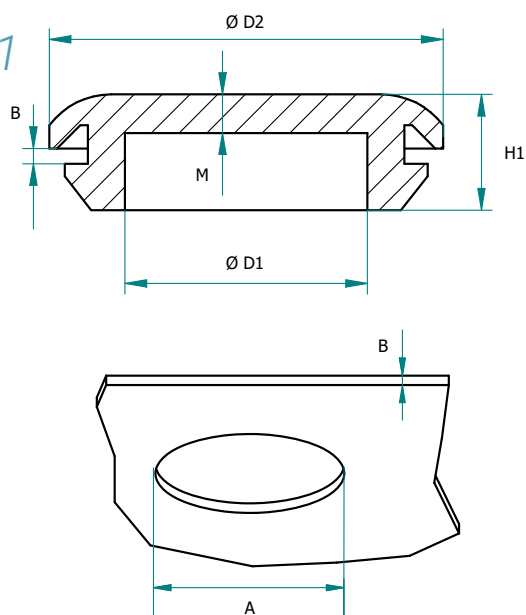
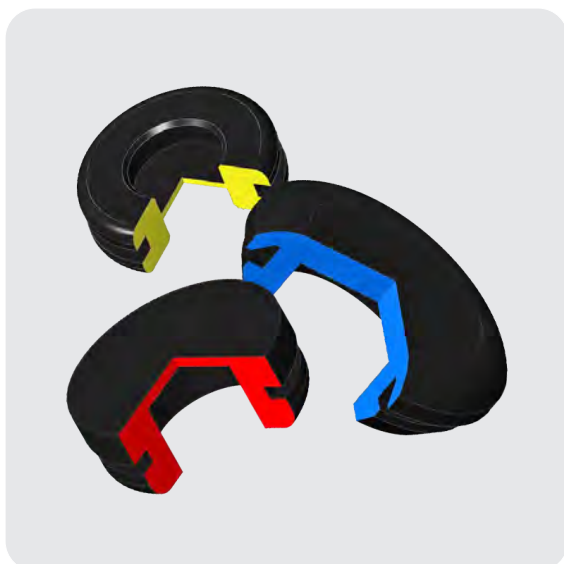
EB = EPDM, black

General measuring tolerances (DIN ISO 3302, section 2 M2F)  
Errors excepted



# VERSCHLUSSTÜLLEN - FORM 1

## SEALING (BLANKING) PLUG - SHAPE 1



| Artikel Nr.<br>Part no. | Nennmaß<br>Nominal size | Loch Ø<br>Panel hole size | Wandstärke<br>Panel thickness | Innen Ø<br>Inner Ø | Gesamt Ø<br>Total Ø | Gesamthöhe<br>Total height | Membrandicke<br>Membrane thickness | Material<br>Material |  |
|-------------------------|-------------------------|---------------------------|-------------------------------|--------------------|---------------------|----------------------------|------------------------------------|----------------------|--|
|                         |                         | A                         | B                             | Ø D1               | Ø D2                | H1                         | M                                  |                      |  |
| 1550                    | M 10                    | 10,5                      | 1 - 2,5                       | 6,0                | 14,5                | 7,3                        | 2,0                                | EB                   |  |
| 1551                    | M 12                    | 12,5                      | 1 - 2,5                       | 8,0                | 17,5                | 7,3                        | 2,0                                | EB                   |  |
| 1552                    | M 16                    | 16,5                      | 1 - 2,5                       | 12,0               | 21,0                | 7,5                        | 2,0                                | EB                   |  |
| 1553                    | M 20                    | 20,5                      | 1 - 2,5                       | 15,5               | 26,0                | 7,7                        | 2,5                                | EB                   |  |
| 1554                    | M 25                    | 25,5                      | 1 - 2,5                       | 19,5               | 32,0                | 7,7                        | 3,0                                | EB                   |  |
| 1555                    | M 32                    | 32,5                      | 1 - 2,5                       | 24,5               | 39,0                | 7,5                        | 3,0                                | EB                   |  |

**Information:**

EB = EPDM, schwarz

Toleranzen nach (DIN ISO 3302, Teil 2 M2F)  
Irrtum vorbehalten

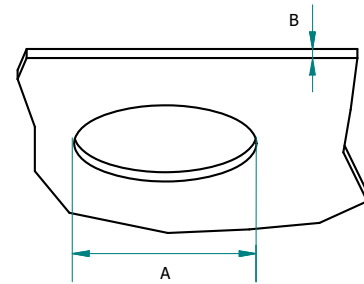
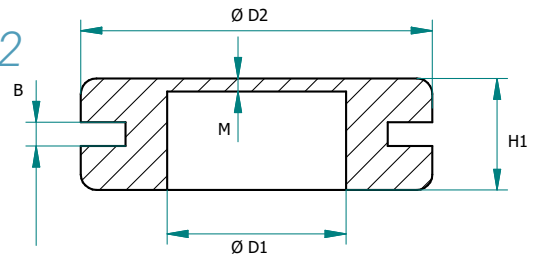
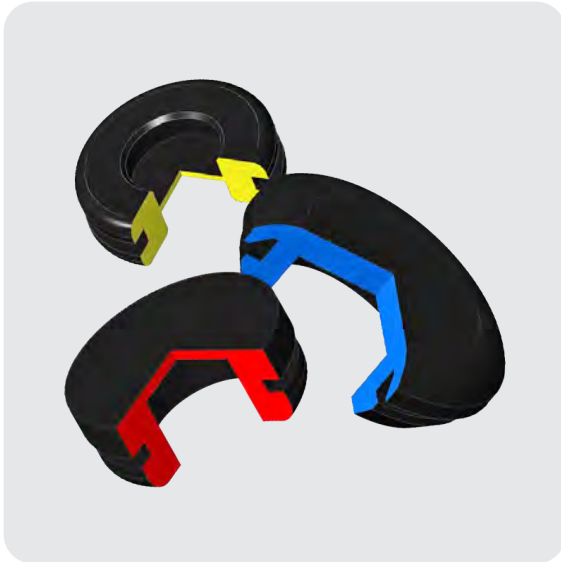
**Information:**

EB = EPDM, black

General measuring tolerances (DIN ISO 3302, section 2 M2F)  
Errors excepted



VERSCHLUSSTÜLLEN - FORM 2  
SEALING (BLANKING) PLUG - SHAPE 2



| Artikel Nr.<br>Part no. | Nennmaß<br>Nominal size | Loch $\varnothing$<br>Panel hole size | Wandstärke<br>Panel thickness | Innen $\varnothing$<br>Inner $\varnothing$ | Gesamt $\varnothing$<br>Total $\varnothing$ | Gesamthöhe<br>Total height | Membrandicke<br>Membrane thickness | Material<br>Material |  |
|-------------------------|-------------------------|---------------------------------------|-------------------------------|--|---|----------------------------|------------------------------------|----------------------|--|
|                         |                         | <b>A</b>                              | <b>B</b>                      | <b><math>\varnothing D1</math></b>         | <b><math>\varnothing D2</math></b>          | <b>H1</b>                  | <b>M</b>                           |                      |  |
| 1018                    | -                       | 13,8                                  | 1,2                           | 9,7  | 17,5  | 7,0                        | 0,1                                | EB                   |  |
| 1052                    | -                       | 10,0                                  | 3,0                           | 5,9  | 13,0  | 7,2                        | 0,9                                | EB                   |  |
| 1061                    | -                       | 18,2                                  | 2,0                           | 13,7                                       | 23,7  | 6,5                        | 0,7                                | EB                   |  |
| 1070                    | -                       | 16,0                                  | 2,8                           | 12,0                                       | 21,0  | 6,6                        | 1,4                                | EB                   |  |
| 1074                    | -                       | 10,0                                  | 1,5                           | 7,8  | 15,0  | 8,5                        | 2,0                                | EB                   |  |

**Information:**

EB = EPDM, schwarz

Toleranzen nach (DIN ISO 3302, Teil 2 M2F)  
Irrtum vorbehalten

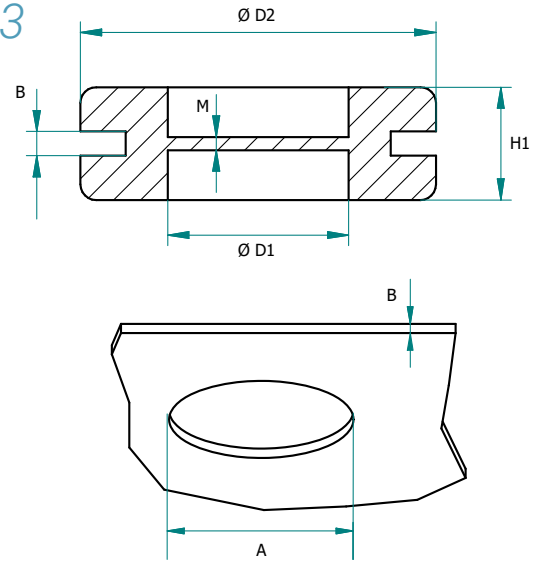
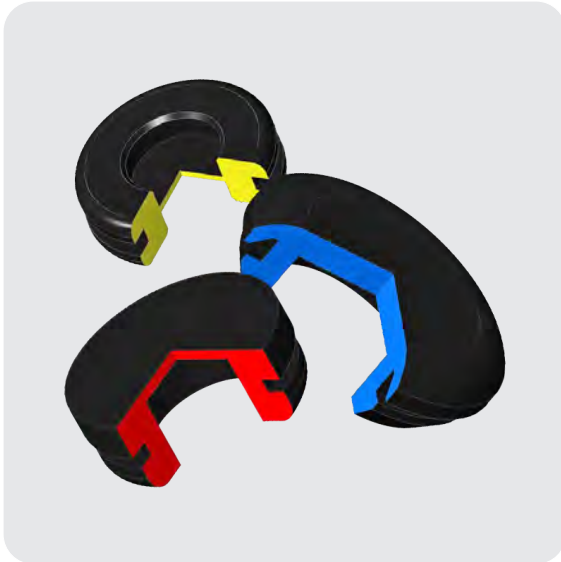
**Information:**

EB = EPDM, black

General measuring tolerances (DIN ISO 3302, section 2 M2F)  
Errors excepted



## VERSCHLUSSTÜLLEN - FORM 3 SEALING (BLANKING) PLUG - SHAPE 3



| Artikel Nr.<br>Part no. | Nennmaß<br>Nominal size | Loch Ø<br>Panel hole size | Wandstärke<br>Panel thickness | Innen Ø<br>Inner Ø | Gesamt Ø<br>Total Ø | Gesamthöhe<br>Total height | Membrandicke<br>Membrane thickness | Material<br>Material |  |
|-------------------------|-------------------------|---------------------------|-------------------------------|--------------------|---------------------|----------------------------|------------------------------------|----------------------|--|
|                         |                         | A                         | B                             | Ø D1               | Ø D2                | H1                         | M                                  |                      |  |
| 1032                    | -                       | 13,7                      | 2,0                           | 8,8                | 18,8                | 7,0                        | 1,0                                | EB                   |  |
| 1034                    | -                       | 18,5                      | 1,7                           | 11,0               | 23,0                | 7,0                        | 0,8                                | EB                   |  |
| 1042                    | -                       | 13,0                      | 2,7                           | 9,0                | 20,8                | 9,0                        | 0,8                                | EB                   |  |
| 1060                    | -                       | 13,0                      | 1,5                           | 9,5                | 17,3                | 8,0                        | 0,6                                | EB                   |  |

**Information:**

EB = EPDM, schwarz

Toleranzen nach (DIN ISO 3302, Teil 2 M2F)  
Irrtum vorbehalten

**Information:**

EB = EPDM, black

General measuring tolerances (DIN ISO 3302, section 2 M2F)  
Errors excepted





**A. Vogt GmbH & Co. KG**

Weberstraße 7

D - 59757 Arnsberg

Germany

Fon +49 (2932) 9636-0

Fax +49 (2932) 9636-60

Mail [info@gummivogt.de](mailto:info@gummivogt.de)