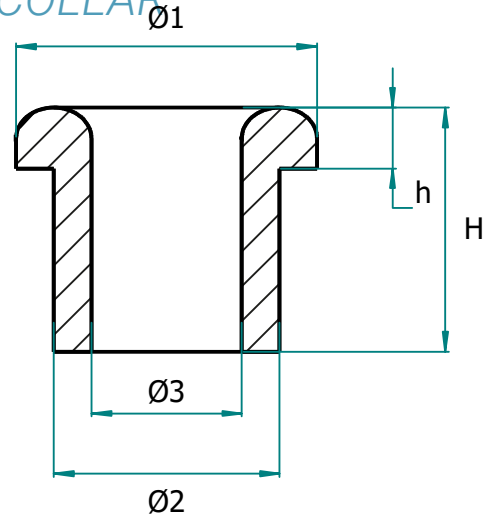




TÜLLEN
GROMMETS



KABELDURCHFÜHRUNG MIT EINSEITIGEM BUND CABLE GROMMETS WITH ONE-SIDED COLLAR



Artikel Nr. <i>Part no.</i>	Gesamt Ø <i>Total Ø</i>	Loch Ø <i>Hole Ø</i>	Kabel Ø <i>Cable Ø</i>	Bundhöhe <i>Collar height</i>	Gesamthöhe <i>Total height</i>	Material <i>Material</i>	
	Ø1	Ø2	Ø3	h	H		
1041	13,7	10,0	5,8	4,0	12,0	EB	
1087	14,0	10,0	6,0	4,0	10,0	EB	

Information:

EB = EPDM, schwarz

Toleranzen nach (DIN ISO 3302, Teil 2 M2F)
Irrtum vorbehalten

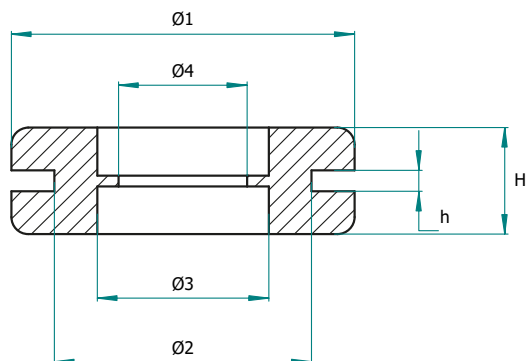
Information:

EB = EPDM, black

General measuring tolerances (DIN ISO 3302, section 2 M2F)
Errors excepted



KABELDURCHFÜHRUNG MIT INNENLIEGENDER DICHTLIPPE CABLE GROMMET WITH INSIDE SEALING LIP



Artikel Nr. <i>Part no.</i>	Gesamt Ø <i>Total Ø</i>	Loch Ø <i>Hole Ø</i>	Ø3 <i>Ø3</i>	Ø4 <i>Ø4</i>	Spalt <i>Gap</i>	Gesamthöhe <i>Total height</i>	Material <i>Material</i>	
	Ø1	Ø2	Ø3	Ø4	h	H		
1047	8,0	6,0	3,8	2,5	2,0	4,2	EB	
1065	19,0	15,0	10,7	7,7	1,7	8,1	EB	
1088	12,0	9,8	6,8	6,0	1,0	8,1	EB	
1093	16,0	11,0	8,8	6,3	2,0	10,2	EB	
1094	30,0	20,0	18,0	14,0	2,3	10,3	EB	
1095	35,0	28,0	24,0	20,0	2,0	10,0	EB	
1096	20,0	16,5	13,2	10,4	2,0	10,0	EB	

Information:

EB = EPDM, schwarz

Toleranzen nach (DIN ISO 3302, Teil 2 M2F)
Irrtum vorbehalten

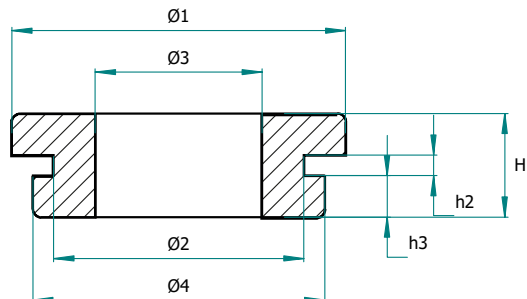
Information:

EB = EPDM, black

General measuring tolerances (DIN ISO 3302, section 2 M2F)
Errors excepted



KABELDURCHFÜHRUNGEN MIT ASYMMETRISCHEM BUND CABLE GROMMETS WITH ASYMMETRIC COLLAR



Artikel Nr. Part no.	Gesamt Ø Total Ø	Loch Ø Hole Ø	Kabel Ø Cable Ø	Ø4 Ø4	Gesamthöhe Total height	Spalt Gap		Material Material	
	Ø1	Ø2	Ø3	Ø4	H	h2	h3		
0990	7,0	4,0	2,0	6,2	4,0	1,0	1,2	EB	
1000	6,0	4,0	1,6	-	5,0	1,5	1,8	EB	
1019	12,0	6,0	4,0	9,0	6,0	1,5	2,0	EB	
1036	17,0	11,8	10,0	-	7,0	2,0	2,0	EB	
1058	16,7	10,0	6,0	13,7	10,0	1,6	4,2	EB	

Information:

EB = EPDM, schwarz

Toleranzen nach (DIN ISO 3302, Teil 2 M2F)
Irrtum vorbehalten

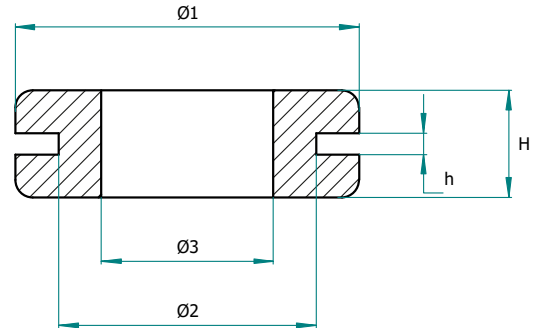
Information:

EB = EPDM, black

General measuring tolerances (DIN ISO 3302, section 2 M2F)
Errors excepted



KABELDURCHFÜHRUNGEN MIT RADIUS CABLE GROMMETS WITH RADIUS



Artikel Nr. <i>Part no.</i>	Gesamt Ø <i>Total Ø</i>	Loch Ø <i>Hole Ø</i>	Kabel Ø <i>Cable Ø</i>	Spalt <i>Gap</i>	Gesamthöhe <i>Total height</i>	Material <i>Material</i>	
	Ø1	Ø2	Ø3	h	H		
0999	5,8	4,0	1,0	1,5	5,2	EB	
1001	7,8	5,0	3,0	1,4	5,0	EB	
1006	10,1	7,0	3,0	1,5	5,8	EB	
1009	9,0	6,0	4,5	1,0	4,0	EB	
1010	12,5	10,0	5,5	2,0	8,5	EB	
1012	15,5	9,5	5,5	0,8	5,0	EB	
1013	14,0	10,0	6,8	4,5	10,3	EB	

Information:

EB = EPDM, schwarz

Toleranzen nach (DIN ISO 3302, Teil 2 M2F)
Irrtum vorbehalten

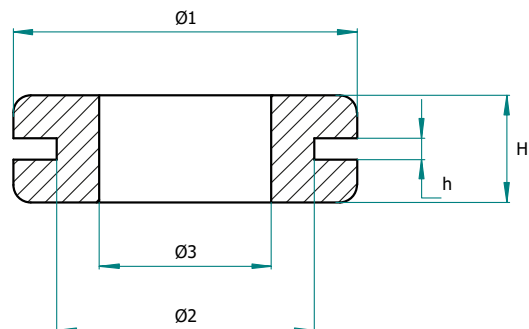
Information:

EB = EPDM, black

General measuring tolerances (DIN ISO 3302, section 2 M2F)
Errors excepted



KABELDURCHFÜHRUNGEN MIT RADIUS CABLE GROMMETS WITH RADIUS



Artikel Nr. <i>Part no.</i>	Gesamt Ø <i>Total Ø</i>	Loch Ø <i>Hole Ø</i>	Kabel Ø <i>Cable Ø</i>	Spalt <i>Gap</i>	Gesamthöhe <i>Total height</i>	Material <i>Material</i>	
	Ø1	Ø2	Ø3	h	H		
1014	12,7	10,0	6,0	2,1	8,0	EB	
1015	16,0	12,0	6,8	1,5	8,0	EB	
1016	13,0	10,0	7,0	1,5	7,3	EB	
1021	9,5	6,5	4,5	1,2	6,0	EB	
1023	10,8	8,0	5,4	1,1	4,3	EB	
1024	11,0	7,0	4,4	2,0	7,0	EB	
1026	29,0	24,0	15,0	2,2	10,2	EB	

Information:

EB = EPDM, schwarz

Toleranzen nach (DIN ISO 3302, Teil 2 M2F)
Irrtum vorbehalten

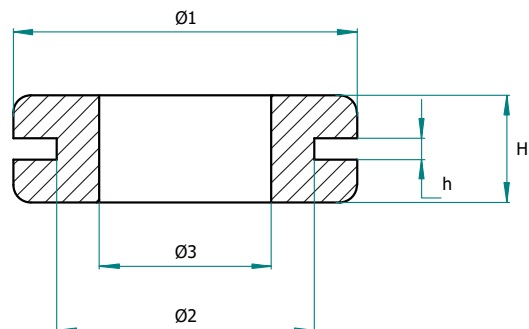
Information:

EB = EPDM, black

General measuring tolerances (DIN ISO 3302, section 2 M2F)
Errors excepted



KABELDURCHFÜHRUNGEN MIT RADIUS CABLE GROMMETS WITH RADIUS



Artikel Nr. <i>Part no.</i>	Gesamt Ø <i>Total Ø</i>	Loch Ø <i>Hole Ø</i>	Kabel Ø <i>Cable Ø</i>	Spalt <i>Gap</i>	Gesamthöhe <i>Total height</i>	Material <i>Material</i>	
	Ø1	Ø2	Ø3	h	H		
1031	7,7	5,0	2,0	2,0	5,2	EB	
1037	12,0	8,4	5,8	2,5	8,8	EB	
1040	24,8	18,7	11,7	1,3	7,5	EB	
1051	9,3	6,2	4,0	3,0	6,0	EB	
1053	14,3	9,8	8,0	2,0	7,8	EB	
1054	12,2	9,3	5,8	1,5	7,0	EB	
1067	17,2	13,0	9,5	1,5	8,0	EB	

Information:

EB = EPDM, schwarz

Toleranzen nach (DIN ISO 3302, Teil 2 M2F)
Irrtum vorbehalten

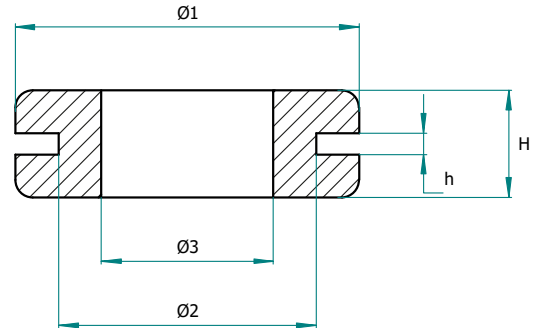
Information:

EB = EPDM, black

General measuring tolerances (DIN ISO 3302, section 2 M2F)
Errors excepted



KABELDURCHFÜHRUNGEN MIT RADIUS CABLE GROMMETS WITH RADIUS



Artikel Nr. <i>Part no.</i>	Gesamt Ø <i>Total Ø</i>	Loch Ø <i>Hole Ø</i>	Kabel Ø <i>Cable Ø</i>	Spalt <i>Gap</i>	Gesamthöhe <i>Total height</i>	Material <i>Material</i>	
	Ø1	Ø2	Ø3	h	H		
1072	10,5	7,8	5,8	4,1	7,0	EB	
1078	7,7	5,0	3,0	1,0	4,4	EB	
1079	12,0	9,0	4,5	1,0	5,2	EB	
1082	11,2	8,0	6,0	1,0	6,2	EB	
1083	15,0	11,7	8,0	2,0	7,0	EB	

Information:

EB = EPDM, schwarz

Toleranzen nach (DIN ISO 3302, Teil 2 M2F)
Irrtum vorbehalten

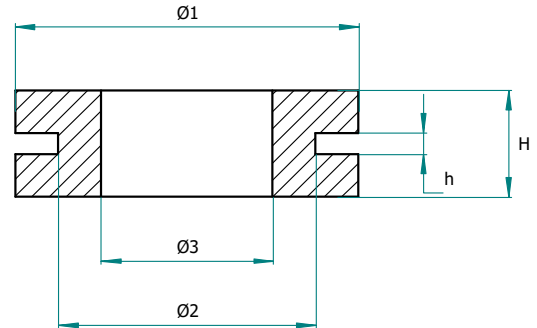
Information:

EB = EPDM, black

General measuring tolerances (DIN ISO 3302, section 2 M2F)
Errors excepted



KABELDURCHFÜHRUNGEN OHNE RADIUS CABLE GROMMETS WITHOUT RADIUS



Artikel Nr. <i>Part no.</i>	Gesamt Ø <i>Total Ø</i>	Loch Ø <i>Hole Ø</i>	Kabel Ø <i>Cable Ø</i>	Spalt <i>Gap</i>	Gesamthöhe <i>Total height</i>	Material <i>Material</i>	
	Ø1	Ø2	Ø3	h	H		
0980	6,0	4,0	2,7	1,0	4,0	EB	
1007	11,0	7,0	4,5	3,0	6,5	EB	
1017	16,2	11,6	8,2	1,5	7,0	EB	
1038	15,0	10,0	6,0	2,0	6,5	EB	
1056	9,0	6,0	4,0	2,0	6,2	EB	
1063	6,0	4,3	1,6	0,5	3,0	EB	
1064	9,0	6,0	3,6	1,0	5,0	EB	

Information:

EB = EPDM, schwarz

Toleranzen nach (DIN ISO 3302, Teil 2 M2F)
Irrtum vorbehalten

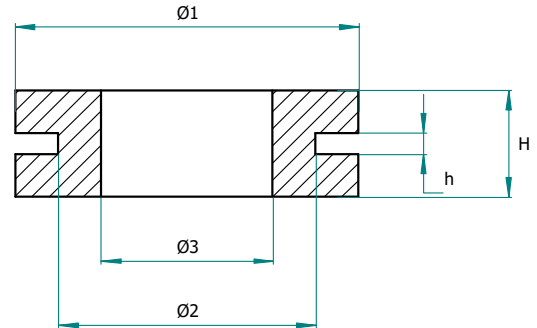
Information:

EB = EPDM, black

General measuring tolerances (DIN ISO 3302, section 2 M2F)
Errors excepted



KABELDURCHFÜHRUNGEN OHNE RADIUS CABLE GROMMETS WITHOUT RADIUS



Artikel Nr. <i>Part no.</i>	Gesamt Ø <i>Total Ø</i>	Loch Ø <i>Hole Ø</i>	Kabel Ø <i>Cable Ø</i>	Spalt <i>Gap</i>	Gesamthöhe <i>Total height</i>	Material <i>Material</i>	
	Ø1	Ø2	Ø3	h	H		
1073	10,8	8,0	3,9	1,6	7,0	EB	
1075	13,0	10,0	6,0	2,2	5,5	EB	
1076	9,0	6,0	3,8	1,5	7,5	EB	
1080	6,0	4,3	2,5	0,6	3,0	EB	
1081	9,5	7,5	4,9	2,0	5,5	EB	
1084	5,0	3,7	2,5	1,2	4,0	EB	

Information:

EB = EPDM, schwarz

Toleranzen nach (DIN ISO 3302, Teil 2 M2F)
Irrtum vorbehalten

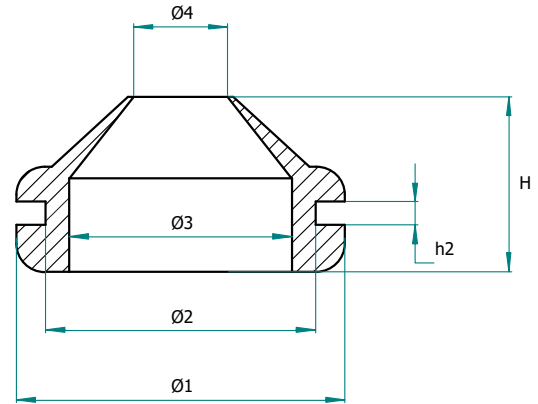
Information:

EB = EPDM, black

General measuring tolerances (DIN ISO 3302, section 2 M2F)
Errors excepted



KABELDURCHFÜHRUNGEN SONDERFORMEN CABLE GROMMETS SPECIAL FORM



Artikel Nr. <i>Part no.</i>	Gesamt Ø <i>Total Ø</i>	Loch Ø <i>Hole Ø</i>	Innen Ø <i>Inner Ø</i>	Ø4 <i>Ø4</i>	Gesamthöhe <i>Total height</i>	Spalt <i>Gap</i>	Material <i>Material</i>	
	Ø1	Ø2	Ø3	Ø4	H	h2		
1020	19,7	15,0	11,6	6,5	10,0	2,0	EB	
1029 ¹⁾	24,5	19,0	14,5	9,0	14,5	2,5	EB	
1030	24,5	19,8	14,5	8,8	14,5	3,5	EB	

Information:

EB = EPDM, schwarz

1) = mit variablem Klemmbereich von 1,5 - 2,5mm

Toleranzen nach (DIN ISO 3302, Teil 2 M2F)

Irrtum vorbehalten

Information:

EB = EPDM, black

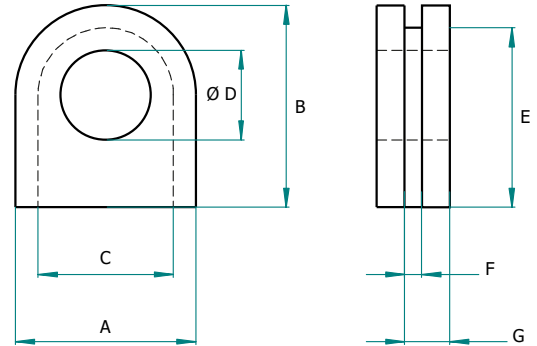
1) = with a variable clamping range of 1.5 – 2.5 mm

General measuring tolerances (DIN ISO 3302, section 2 M2F)

Errors excepted



KABELDURCHFÜHRUNGEN U-FORM CABLE GROMMETS U-SHAPE



Artikel Nr. Part no.	Breite Width A	Höhe Height B	Aussparungsbreite Recess width C	Kabel Ø Cable Ø Ø D	Aussparungshöhe Recess height E	Spaltmaß Clearance F	Einbautiefe Installation depth G	Material Material EB	
1033 ¹⁾	19,0	19,0	13,8	9,3	16,3	2,0	4,5	EB	
1048 ²⁾	13,8	13,8	10,5	7,0	12,0	1,5	3,5	EB	
1049 ³⁾	19,0	19,0	13,8	9,3	16,3	2,0	4,5	EB	
1059	13,8	13,8	10,5	7,0	12,0	1,5	3,5	EB	

Information:

EB = EPDM, schwarz

1) = mit innenliegender Membran. ; 2) = mit vorgelochter Membran

1mm Ø. ; 3) = mit vorgelochter Membran 2mm Ø.

Toleranzen nach (DIN ISO 3302, Teil 2 M2F)

Information:

EB = EPDM, black

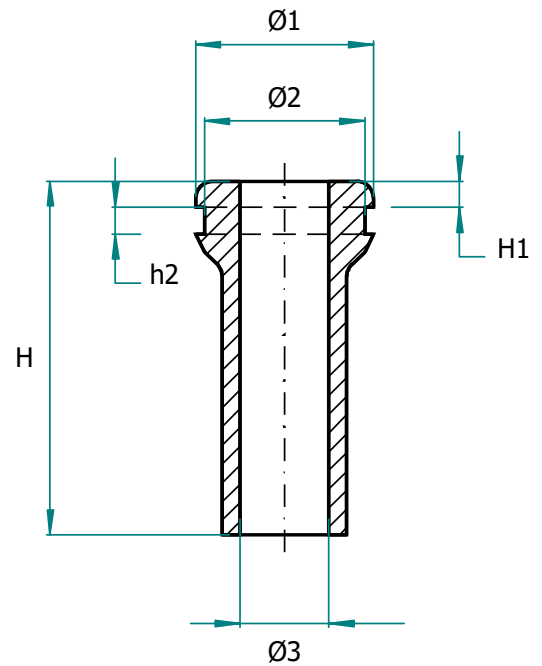
1) = With inner membrane. ; 2) = Perforated membrane 1mm

Ø ; 3) = Perforated membrane 2mm Ø

General measuring tolerances (DIN ISO 3302, section 2 M2F)



KNICKSCHUTZTÜLLEN *BEND RELIEF GROMMETS*



Artikel Nr. <i>Part no.</i>	Gesamt Ø <i>Total Ø</i>	Loch Ø <i>Hole Ø</i>	Kabel Ø <i>Cable Ø</i>	Bundhöhe <i>Collar height</i>	Spalt <i>Gap</i>	Gesamthöhe <i>Total height</i>	Material <i>Material</i>	
	Ø1	Ø2	Ø3	H1	h2	H		
0970	5,4	3,5	1,7	1,0	1,5	8,6	EB	
0998	6,8	5,0	3,0	2,1	2,0	18,0	EB	
1066	9,1	6,8	3,5	2,1	1,5	14,7	EB	

Information:

EB = EPDM, schwarz

Toleranzen nach (DIN ISO 3302, Teil 2 M2F)
Irrtum vorbehalten

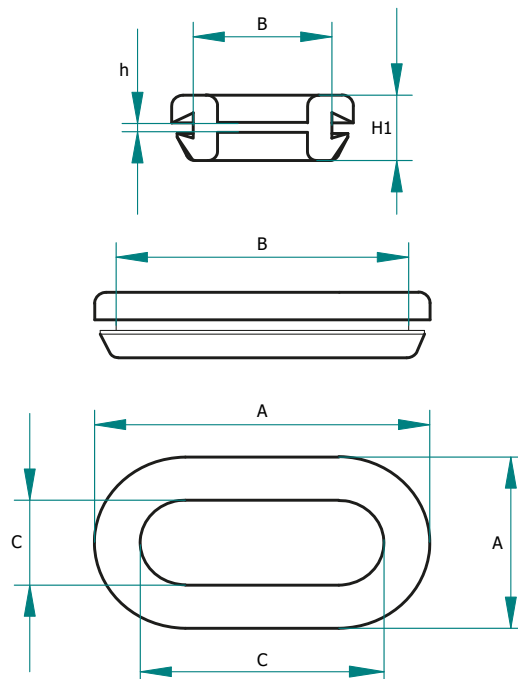
Information:

EB = EPDM, black

General measuring tolerances (DIN ISO 3302, section 2 M2F)
Errors excepted



LANGLOCHTÜLLE OBLONG GROMMET



Artikel Nr. Part no.	Außenmaße Total dimensions	Einbaumaße Installation dimensions	Innenmaße Inner dimensions	Klemmbereich Gap	Gesamthöhe Total height	Membrandicke Membrane thickness	Material Material	
	A	B	C	h	H1	M		
1027 ¹⁾	35,0 x 17,0	30,0 x 12,0	26,6 x 8,3	2,8	6,3	1,0	EB	
1028 ²⁾	35,0 x 17,0	30,0 x 12,0	26,6 x 8,3	2,8	6,3	1,0	EB	
1097	29,0 x 16,0	25,0 x 12,0	21,0 x 8,0	1 - 2,5	6,0	0,8	EB	
1098	42,0 x 19,0	37,0 x 14,0	33,0 x 10,0	1 - 2,5	7,0	0,8	EB	
1099	58,0 x 24,0	50,0 x 16,0	46,0 x 12,0	1 - 2,5	9,0	1,0	EB	

Information:

EB = EPDM, schwarz

1) = mit Lochung (Durchmesserzeichen) 5,5 mm (9 mm außermittig, links) und Lochvorprägung (Durchmesserzeichen) 3 mm (2 mm aussermittig, rechts) ; 2) = mit aussenliegender Membran

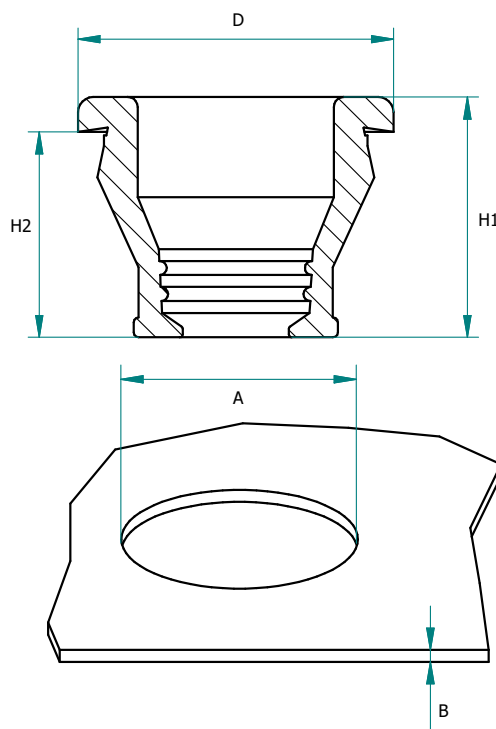
Information:

EB = EPDM, black

1) = with perforation (diameter mark) 5.5 mm (9 mm off-centre, left) and hole pre-embossing (diameter mark) 3 mm (2 mm off-centre, right) ; 2) = with outer membrane



SNAP[®] EASY TIGHT
SNAP[®] EASY-TIGHT



Artikel Nr. Part no.	Nennmaß Nominal size	Kabel Ø Cable Ø	Loch Ø Panel hole size	Wandstärke Panel thickness	Gesamt Ø Total Ø	Gesamthöhe Total height	Einbautiefe Installation depth	Material Material	
			A	B	D	H1	H2		
1490	M 10	1,5 - 4,0	10,5	1 - 4,0	14,0	18,5	15,0	EB	
1491	M 12 / PG 7	4 - 6	12,5	1 - 4,0	16,0	20,5	17,0	EB	
1492	M 16 / PG 9	6 - 9	16,5	1 - 4,0	21,0	22,0	18,5	EB	
1493	M 20	9 - 12	20,5	1 - 4,0	25,5	22,0	18,5	EB	
1494	M 25	12 - 16	25,5	1 - 4,0	31,5	24,0	20,5	EB	
1495	M 32	16 - 20	32,5	1 - 6,0	38,0	27,5	23,5	EB	
1496	M 40	20 - 26	40,5	1 - 6,0	46,5	28,5	24,5	EB	

Information:

EB = EPDM, schwarz

Toleranzen nach (DIN ISO 3302, Teil 2 M2F)
Irrtum vorbehalten

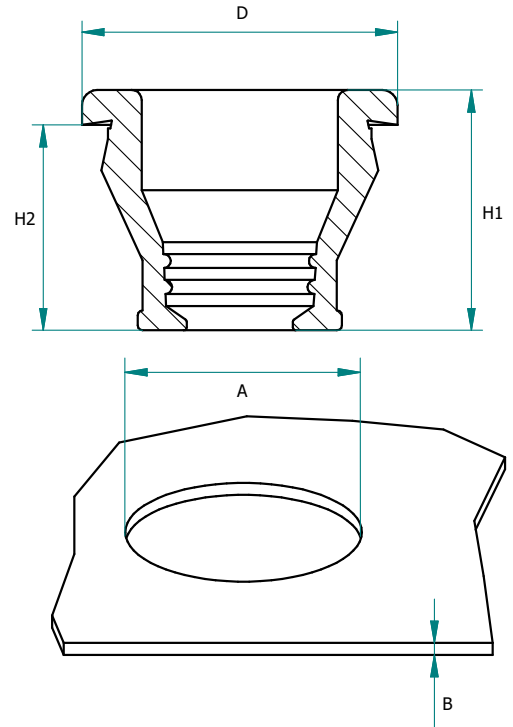
Information:

EB = EPDM, black

General measuring tolerances (DIN ISO 3302, section 2 M2F)
Errors excepted



SNAP[®] EASY TIGHT
SNAP[®] EASY-TIGHT



Artikel Nr. Part no.	Nennmaß Nominal size	Kabel Ø Cable Ø	Loch Ø Panel hole size	Wandstärke Panel thickness	Gesamt Ø Total Ø	Gesamthöhe Total height	Einbautiefe Installation depth	Material Material	
			A	B	D	H1	H2		
1497	M 50	26 - 35	50,5	1 - 6,0	58,0	30,0	25,5	EB	

Information:

EB = EPDM, schwarz

Toleranzen nach (DIN ISO 3302, Teil 2 M2F)
Irrtum vorbehalten

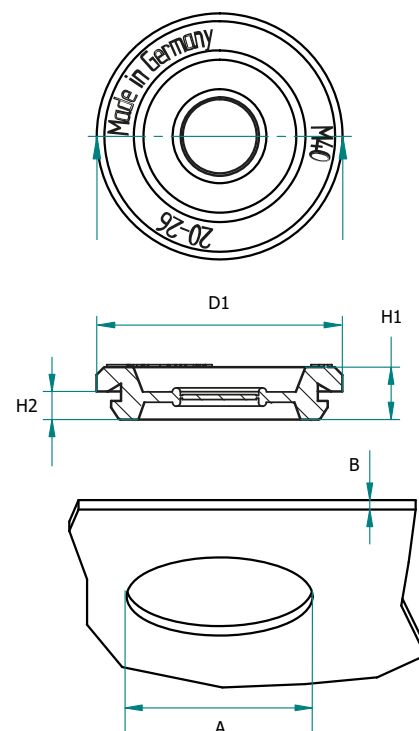
Information:

EB = EPDM, black

General measuring tolerances (DIN ISO 3302, section 2 M2F)
Errors excepted



SNAP[®] METRIC LIGHT
SNAP[®] METRIC LIGHT



Artikel Nr. <i>Part no.</i>	Nennmaß <i>Nominal size</i>	Kabel Ø <i>Cable Ø</i>	Loch Ø <i>Panel hole size</i>	Wandstärke <i>Panel thickness</i>	Gesamt Ø <i>Total Ø</i>	Innen Ø <i>Inner Ø</i>	Gesamthöhe <i>Total height</i>	Einbautiefe <i>Installation depth</i>	Material <i>Material</i>	
			A	B	Ø D1	Ø D2	H1	H2		
1600	M 12 / PG 7	3 - 5	12,5	1 - 2,5	18,5	-	7,5	2,5	EB, SB	
1601	M 16 / PG 9	5 - 7	16,5	1 - 2,5	22,5	-	7,5	2,5	EB, SB	
1602	M 20	7 - 10	20,5	1 - 2,5	26,5	-	7,5	2,5	EB, SB	
1603	M 25	10 - 14	25,5	1 - 2,5	31,5	-	7,5	2,5	EB, SB	
1604	M 32	14 - 20	32,5	1 - 2,5	39,0	-	9,0	3,0	EB, SB	
1605	M 40	20 - 26	40,5	1 - 3,5	49,0	-	10,5	3,5	EB, SB	
1606	M 50	26 - 35	50,5	1 - 3,5	58,5	-	11,0	4,0	EB, SB	

Information:

EB = EPDM, schwarz ; SB = Silikon, schwarz

Toleranzen nach (DIN ISO 3302, Teil 2 M2F)
Irrtum vorbehalten

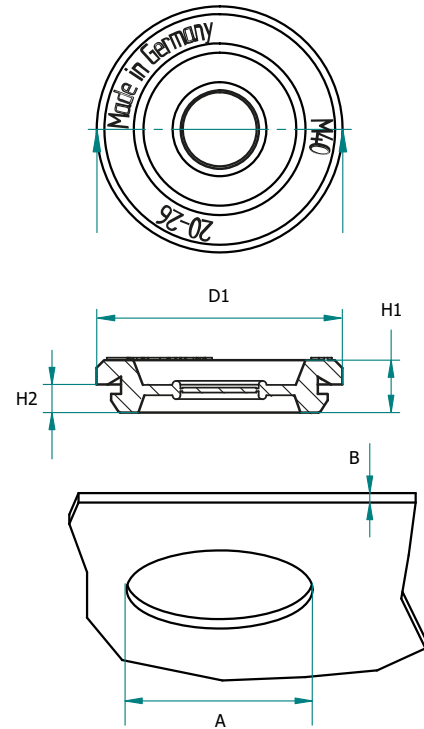
Information:

EB = EPDM, black ; SB = Silicon, black

General measuring tolerances (DIN ISO 3302, section 2 M2F)
Errors excepted



SNAP[®] METRIC LIGHT
SNAP[®] METRIC LIGHT



Artikel Nr. <i>Part no.</i>	Nennmaß <i>Nominal size</i>	Kabel Ø <i>Cable Ø</i>	Loch Ø <i>Panel hole size</i>	Wandstärke <i>Panel thickness</i>	Gesamt Ø <i>Total Ø</i>	Innen Ø <i>Inner Ø</i>	Gesamthöhe <i>Total height</i>	Einbautiefe <i>Installation depth</i>	Material <i>Material</i>
			A	B	Ø D1	Ø D2	H1	H2	
1607	M 63	35 - 40	63,5	1 - 3,5	71,5	-	11,5	4,5	EB, SB



Information:

EB = EPDM, schwarz ; SB = Silikon, schwarz

Toleranzen nach (DIN ISO 3302, Teil 2 M2F)
Irrtum vorbehalten

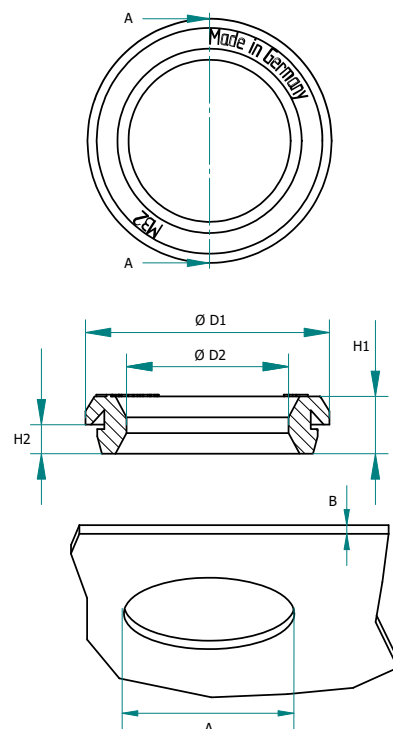
Information:

EB = EPDM, black ; SB = Silicon, black

General measuring tolerances (DIN ISO 3302, section 2 M2F)
Errors excepted



SNAP[®] METRIC LIGHT OPEN
SNAP[®] METRIC LIGHT OPEN



Artikel Nr. Part no.	Nennmaß Nominal size	Kabel Ø Cable Ø	Loch Ø Panel hole size	Wandstärke Panel thickness	Gesamt Ø Total Ø	Innen Ø Inner Ø	Gesamthöhe Total height	Einbautiefe Installation depth	Material Material	
			A	B	Ø D1	Ø D2	H1	H2		
3000	M 12 / PG 7	0 - 9,0	12,5	1 - 2,5	18,5	9,0	7,5	2,5	EB	
3001	M 16 / PG 9	0 - 12,0	16,5	1 - 2,5	22,5	12,0	7,5	2,5	EB	
3002	M 20	0 - 16,0	20,5	1 - 2,5	26,5	16,0	7,5	2,5	EB	
3003	M 25	0 - 20,0	25,5	1 - 2,5	31,5	20,0	7,5	2,5	EB	
3004	M 32	0 - 25,5	32,5	1 - 2,5	39,0	25,5	9,0	3,0	EB	
3005	M 40	0 - 32,0	40,5	1 - 3,5	49,0	32,0	10,5	3,5	EB	
3006	M 50	0 - 41,0	50,5	1 - 3,5	58,5	41,0	11,0	4,0	EB	

Information:

EB = EPDM, schwarz

Toleranzen nach (DIN ISO 3302, Teil 2 M2F)
Irrtum vorbehalten

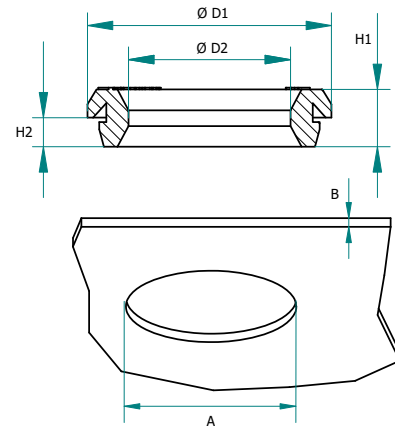
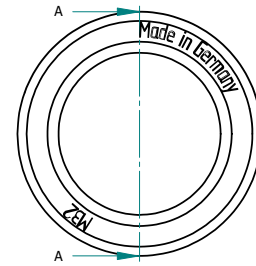
Information:

EB = EPDM, black

General measuring tolerances (DIN ISO 3302, section 2 M2F)
Errors excepted



SNAP[®] METRIC LIGHT OPEN
SNAP[®] METRIC LIGHT OPEN



Artikel Nr. <i>Part no.</i>	Nennmaß <i>Nominal size</i>	Kabel Ø <i>Cable Ø</i>	Loch Ø <i>Panel hole size</i>	Wandstärke <i>Panel thickness</i>	Gesamt Ø <i>Total Ø</i>	Innen Ø <i>Inner Ø</i>	Gesamthöhe <i>Total height</i>	Einbautiefe <i>Installation depth</i>	Material <i>Material</i>
			A	B	Ø D1	Ø D2	H1	H2	EB
3007	M 63	0 - 53,0	63,5	1 - 3,5	71,5	53,0	11,5	4,5	EB



Information:

EB = EPDM, schwarz

Toleranzen nach (DIN ISO 3302, Teil 2 M2F)
Irrtum vorbehalten

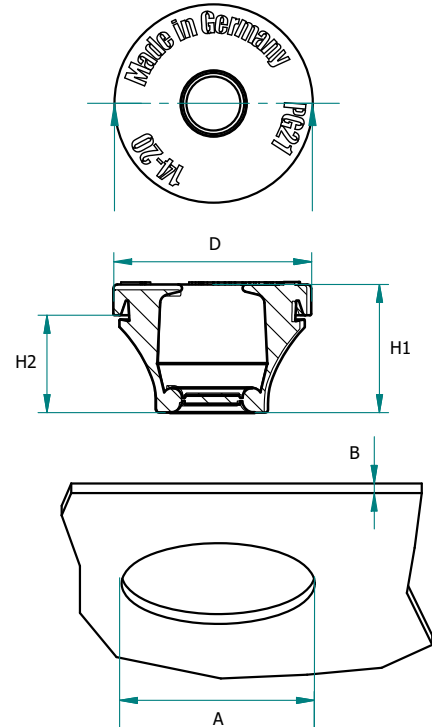
Information:

EB = EPDM, black

General measuring tolerances (DIN ISO 3302, section 2 M2F)
Errors excepted



SNAP® PG
SNAP® PG



Artikel Nr. Part no.	Nennmaß Nominal size	Kabel Ø Cable Ø	Loch Ø Panel hole size	Wandstärke Panel thickness	Gesamt Ø Total Ø	Gesamthöhe Total height		Material Material	
			A	B		D	H1		
1102	PG 11	7 - 10	19,0	1,0 - 4,0	24,0	19,5	13,5	EG, EB, CB, SB	
1103	PG 16	10 - 14	23,0	1,0 - 4,0	28,0	22,5	16,0	EG, EB, CB, SB	
1104	PG 21	14 - 20	29,0	1,0 - 4,0	35,0	24,5	17,5	EG, EB, CB, SB	
1105	PG 29	20 - 26	38,0	1,0 - 4,0	46,0	30,0	21,0	EG, EB, CB, SB	
1106	PG 36	26 - 35	48,0	1,0 - 4,0	58,0	35,0	25,0	EG, EB, CB, SB	
1200	M 12 / PG 7	3 - 5	12,5	1,0 - 4,0	18,5	17,0	10,5	EG, EB, CB, SB	
1201	M 16 / PG 9	5 - 7	16,5	1,0 - 4,0	21,5	19,0	12,0	EG, EB, CB, SB	

Information:

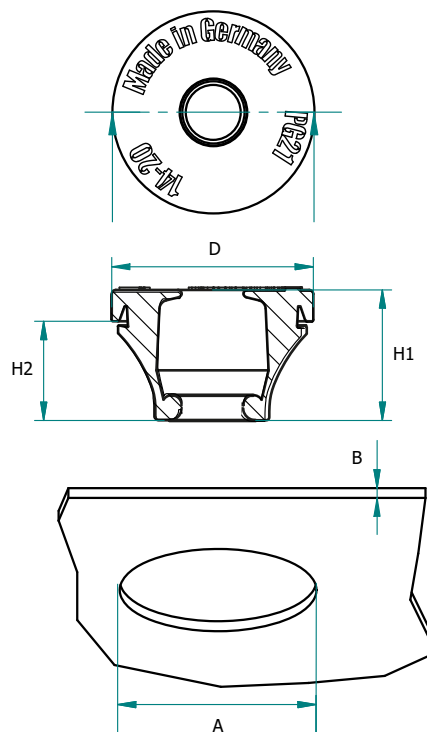
EG = EPDM, grau ; EB = EPDM, schwarz ; CB = CR, schwarz ; SB = Silikon, schwarz
IP66 / IP67, fachgerechte Montage vorausgesetzt
Toleranzen nach (DIN ISO 3302, Teil 2 M2F)

Information:

EG = EPDM, gray ; EB = EPDM, black ; CB = CR, black ; SB = Silicon, black
IP66 / IP67
General measuring tolerances (DIN ISO 3302, section 2 M2F)



SNAP[®] PG OPEN
SNAP[®] PG OPEN



Artikel Nr. Part no.	Nennmaß Nominal size	Kabel Ø Cable Ø	Loch Ø Panel hole size	Wandstärke Panel thickness	Gesamt Ø Total Ø	Gesamthöhe Total height		Material Material	
			A	B		H1	H2		
1112	PG 11	7 - 10	19,0	1,0 - 4,0	24,0	19,5	13,5	EG, EB, SB	
1113	PG 16	10 - 14	23,0	1,0 - 4,0	28,0	22,5	16,0	EG, EB, SB	
1114	PG 21	14 - 20	29,0	1,0 - 4,0	35,0	24,5	17,5	EG, EB, SB	
1115	PG 29	20 - 26	38,0	1,0 - 4,0	46,0	30,0	21,0	EG, EB, SB	
1116	PG 36	26 - 35	48,0	1,0 - 4,0	58,0	35,0	25,0	EG, EB, SB	
1210 ¹⁾	M 12 / PG 7	3 - 5	12,5	1,0 - 4,0	18,5	17,0	10,5	EG, EB, SB	
1211	M 16 / PG 9	5 - 7	16,5	1,0 - 4,0	21,5	19,0	12,0	EG, EB, SB	

Information:

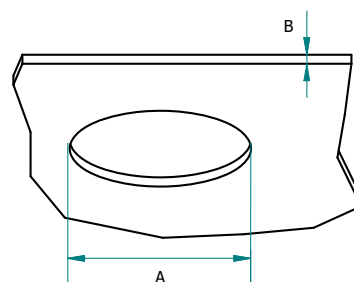
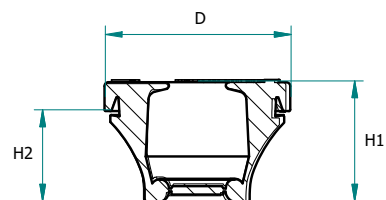
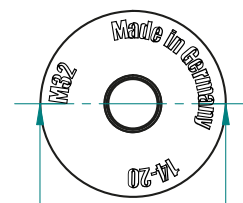
EG = EPDM, grau ; EB = EPDM, schwarz ; SB = Silikon, schwarz
1) = IP66 / IP67, fachgerechte Montage vorausgesetzt
Toleranzen nach (DIN ISO 3302, Teil 2 M2F)
Irrtum vorbehalten

Information:

EG = EPDM, gray ; EB = EPDM, black ; SB = Silicon, black
1) = IP66 / IP67
General measuring tolerances (DIN ISO 3302, section 2 M2F)
Errors excepted



SNAP[®] METRIC
SNAP[®] METRIC



Artikel Nr. Part no.	Nennmaß Nominal size	Kabel Ø Cable Ø	Loch Ø Panel hole size	Wandstärke Panel thickness	Gesamt Ø Total Ø	Gesamthöhe Total height		Material Material	
			A	B	D	H1	H2		
1200	M 12 / PG 7	3 - 5	12,5	1,0 - 4,0	18,5	17,0	10,5	EG, EB, CB, SB	
1201	M 16 / PG 9	5 - 7	16,5	1,0 - 4,0	21,5	19,0	12,0	EG, EB, CB, SB	
1202	M 20	7 - 10	20,5	1,0 - 4,0	25,5	20,5	14,0	EG, EB, CB, SB	
1203	M 25	10 - 14	25,5	1,0 - 4,0	30,5	23,0	15,5	EG, EB, CB, SB	
1204	M 32	14 - 20	32,5	1,0 - 4,0	38,5	25,0	18,0	EG, EB, CB, SB	
1205	M 40	20 - 26	40,5	1,0 - 4,0	49,0	32,0	22,0	EG, EB, CB, SB	
1206	M 50	26 - 35	50,5	1,0 - 4,0	60,5	37,5	25,5	EG, EB, CB, SB	

Information:

EG = EPDM, grau ; EB = EPDM, schwarz ; CB = CR, schwarz ; SB = Silikon, schwarz

IP66 / IP67, fachgerechte Montage vorausgesetzt
Toleranzen nach (DIN ISO 3302, Teil 2 M2F)

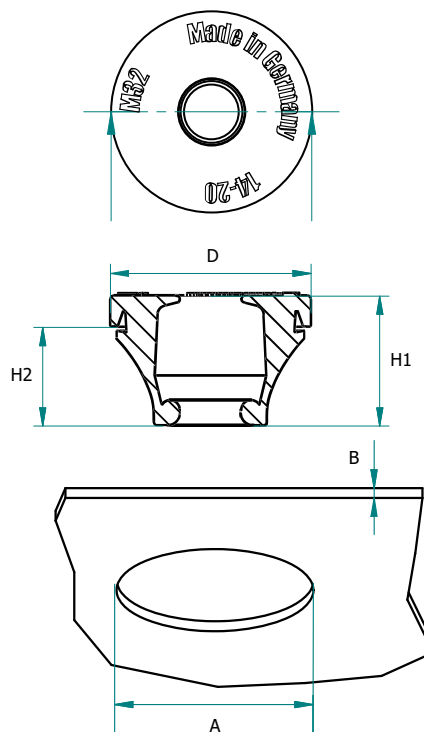
Information:

EG = EPDM, gray ; EB = EPDM, black ; CB = CR, black ; SB = Silicon, black

IP66 / IP67
General measuring tolerances (DIN ISO 3302, section 2 M2F)



SNAP[®] METRIC OPEN
SNAP[®] METRIC OPEN



Artikel Nr. Part no.	Nennmaß Nominal size	Kabel Ø Cable Ø	Loch Ø Panel hole size	Wandstärke Panel thickness	Gesamt Ø Total Ø	Gesamthöhe Total height		Material Material	
			A	B		D	H1		
1210 ¹⁾	M12 / PG 7	3 - 5	12,5	1,0 - 4,0	18,5	17,0	10,5	EG, EB, SB	
1211	M 16 / PG 9	5 - 7	16,5	1,0 - 4,0	21,5	19,0	12,0	EG, EB, SB	
1212	M 20	7 - 10	20,5	1,0 - 4,0	25,5	20,5	14,0	EG, EB, SB	
1213	M 25	10 - 14	25,5	1,0 - 4,0	30,5	23,0	15,5	EG, EB, SB	
1214	M 32	14 - 20	32,5	1,0 - 4,0	38,5	25,0	18,0	EG, EB, SB	
1215	M 40	20 - 26	40,5	1,0 - 4,0	49,0	32,0	22,0	EG, EB, SB	
1216	M 50	26 - 35	50,5	1,0 - 4,0	60,5	37,5	25,5	EG, EB, SB	

Information:

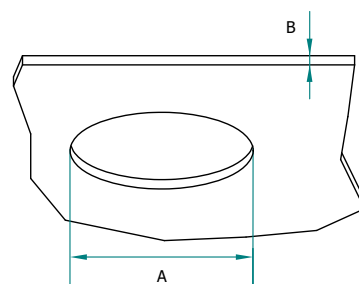
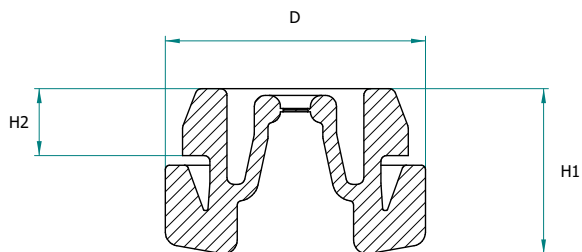
EG = EPDM, grau ; EB = EPDM, schwarz ; SB = Silikon, schwarz
1) = IP66 / IP67, fachgerechte Montage vorausgesetzt
Toleranzen nach (DIN ISO 3302, Teil 2 M2F)
Irrtum vorbehalten

Information:

EG = EPDM, gray ; EB = EPDM, black ; SB = Silicon, black
1) = IP66 / IP67
General measuring tolerances (DIN ISO 3302, section 2 M2F)
Errors excepted



SNAP[®] MULTIFLEX
SNAP[®] MULTIFLEX



Artikel Nr. Part no.	Nennmaß Nominal size	Loch Ø Panel hole size	Wandstärke Panel thickness	Kabel Ø Cable Ø	Gesamt Ø Total Ø	Gesamthöhe Total height	Höhe Height	Material Material	
		A	B		D	H1	H2		
4000	M 12 / PG 7	12,5	1 - 4,0	2 - 6	19,0	12,0	5,0	EG, SB, EB	COMING SOON
4001	M 16 / PG 9	16,5	1 - 4,0	4 - 8	22,0	12,0	5,0	EG, SB, EB	COMING SOON
4002	M 20	20,5	1 - 4,0	7 - 12	27,0	12,50	5,0	EG, SB, EB	COMING SOON
4003	M 25	25,5	1 - 4,0	8 - 16	33,0	12,70	5,0	EG, SB, EB	COMING SOON

Information:

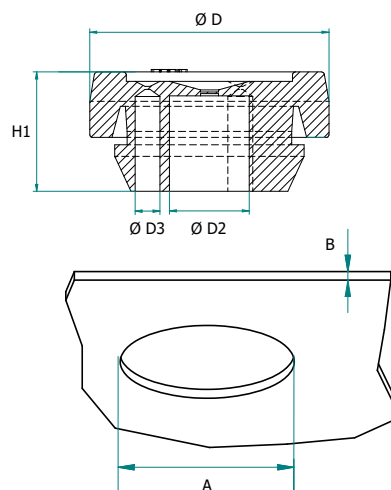
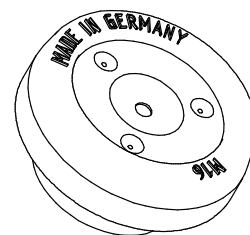
EG = EPDM, grau ; SB = Silikon, schwarz ; EB = EPDM, schwarz
IP66 / IP67, fachgerechte Montage vorausgesetzt
Toleranzen nach (DIN ISO 3302, Teil 2 M2F)
Irrtum vorbehalten

Information:

EG = EPDM, gray ; SB = Silicon, black ; EB = EPDM, black
IP66/67
General measuring tolerances (DIN ISO 3302, section 2 M2F)
Errors excepted



SNAP[®] MULTIGATE
SNAP[®] MULTIGATE



Artikel Nr. Part no.	Nennmaß Nominal size	Loch Ø Panel hole size	Wandstärke Panel thickness	Gesamt Ø Total Ø	Innen Ø Inner Ø	Innen Ø / (Kabel Ø) Inner Ø / (Cable Ø)	Gesamthöhe Total height	Innen Ø Inner Ø	Innen Ø / (Kabel Ø) Inner Ø / (Cable Ø)	Material Material
		A	B	D	Ø D2		H1	Ø D3		
3100	M 16 / PG 9	16,5	1 - 4,0	24,0	1 x 8,0	1 x 8,0	12,0	3 x 2,5	3 x 2,5	EB, EG
3101	M 20	20,5	1 - 4,0	27,5	-	3 x 8,0	12,0	-	-	EB, EG
3102	M 25	25,5	1 - 4,0	32,5	-	4 x 8,0	12,0	-	-	EB, EG
3103	M 32	32,5	1 - 4,0	41	-	4 x 11,0	12,75	-	-	EB, EG

Information:

EB = EPDM, schwarz ; EG = EPDM, grau

Toleranzen nach (DIN ISO 3302, Teil 2 M2F)
Irrtum vorbehalten

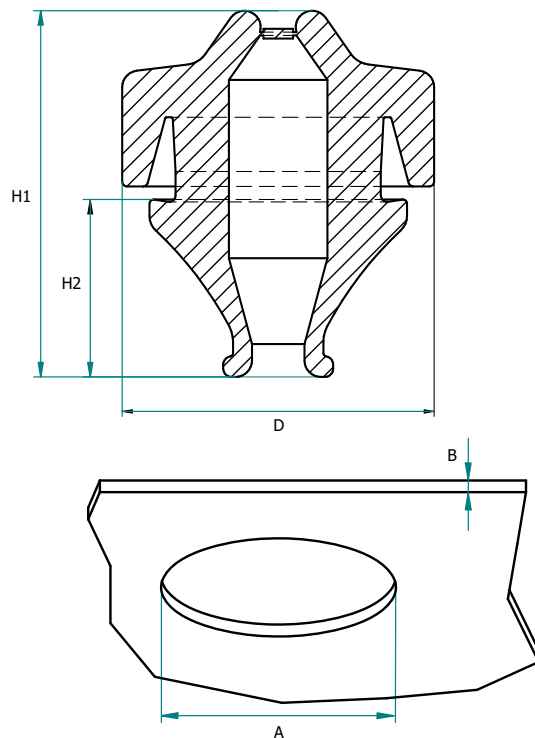
Information:





EB = EPDM, black ; EG = EPDM, gray

General measuring tolerances (DIN ISO 3302, section 2 M2F)
Errors excepted



SNAP[®] - DNG
SNAP[®] - DNG



Artikel Nr. Part no.	Nennmaß Nominal size	Wandstärke Panel thickness	Loch Ø Panel hole size	Kabel Ø Cable Ø	Gesamt Ø Total Ø	Gesamthöhe Total height	Höhe Height	Material Material	
		B	A			H1			
4500	M 12 / PG 7	1,0 - 5,0	12,5	3,0 - 5,0	19,0	22,25	10,5	EG, EB	
4501	M 16 / PG 9	1,0 - 5,0	16,5	5,0 - 7,0	22,25	22,75	11,0	EG, EB	
4502	M20	1,0 - 5,0	20,5	7,0 - 10,0	27,0	24,25	12,5	EG, EB	
4503	M25	1,0 - 5,0	25,5	10,0 - 14,0	32,0	24,5	12,75	EG, EB	

Information:

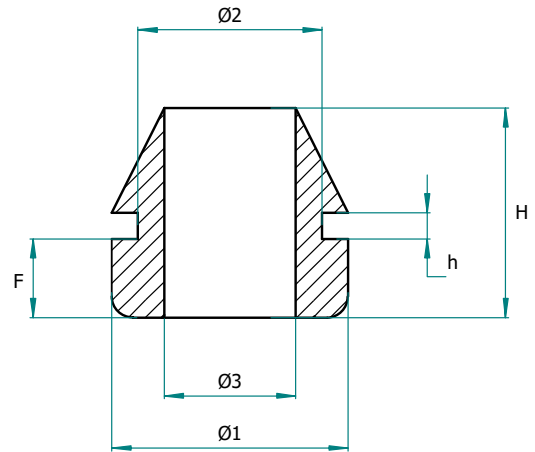
EG = EPDM, grau ; EB = EPDM, schwarz
IP66 / IP67, fachgerechte Montage vorausgesetzt
Toleranzen nach (DIN ISO 3302, Teil 2 M2F)
Irrtum vorbehalten

Information:

EG = EPDM, gray ; EB = EPDM, black
IP66 / IP67
General measuring tolerances (DIN ISO 3302, section 2 M2F)
Errors excepted



KABELDURCHFÜHRUNGEN SONDERFORMEN CABLE GROMMETS SPECIAL FORM



Artikel Nr. <i>Part no.</i>	Gesamt Ø <i>Total Ø</i>	Loch Ø <i>Hole Ø</i>	Kabel Ø <i>Cable Ø</i>	Spalt <i>Gap</i>	Gesamthöhe <i>Total height</i>	Kopfhöhe <i>Head height</i>	Material <i>Material</i>	
	Ø1	Ø2	Ø3	h	H	F		
0996	8,0	5,0	2,4	1,5	6,0	1,5	EB	
1002	10,0	7,0	5,0	1,5	6,7	1,5	EB	
1003	11,7	8,5	6,5	1,5	7,0	1,5	EB	
1089	11,7	9,8	6,8	1,0	8,2	3,5	EB	

Information:

EB = EPDM, schwarz

Toleranzen nach (DIN ISO 3302, Teil 2 M2F)
Irrtum vorbehalten

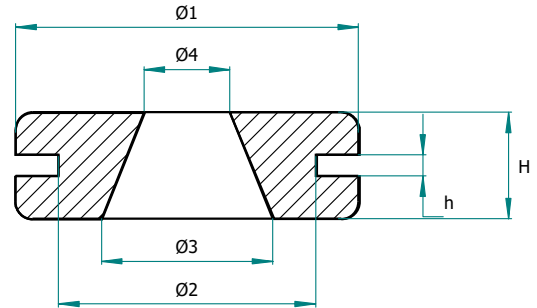
Information:



EB = EPDM, black

General measuring tolerances (DIN ISO 3302, section 2 M2F)
Errors excepted



KABELDURCHFÜHRUNGEN MIT REDUZIERTEM DURCHGANG CABLE GROMMETS SPECIAL FORM



Artikel Nr. <i>Part no.</i>	Gesamt Ø <i>Total Ø</i>	Loch Ø <i>Hole Ø</i>	Ø3 <i>Ø3</i>	Ø4 <i>Ø4</i>	Gesamthöhe <i>Total height</i>	Spalt <i>Gap</i>	Material <i>Material</i>	
	Ø1	Ø2	Ø3	Ø4	H	h		
1044	15,0	11,0	8,0	7,0	7,0	2,0	EB	
1062	15,7	10,7	10,7	4,3	5,0	1,5	EB	

Information:

EB = EPDM, schwarz

Toleranzen nach (DIN ISO 3302, Teil 2 M2F)
Irrtum vorbehalten

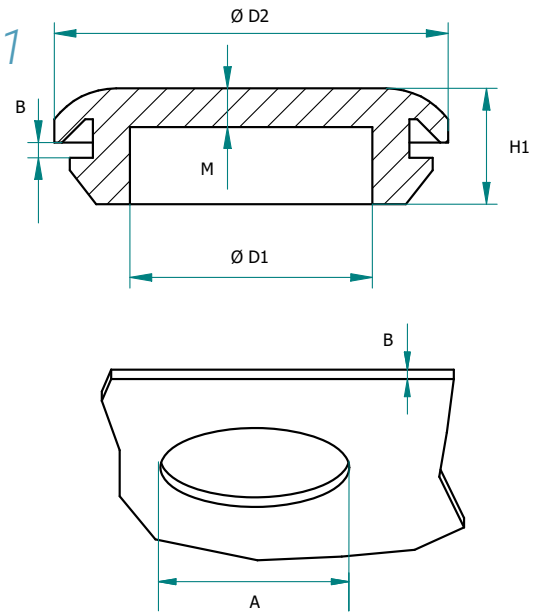
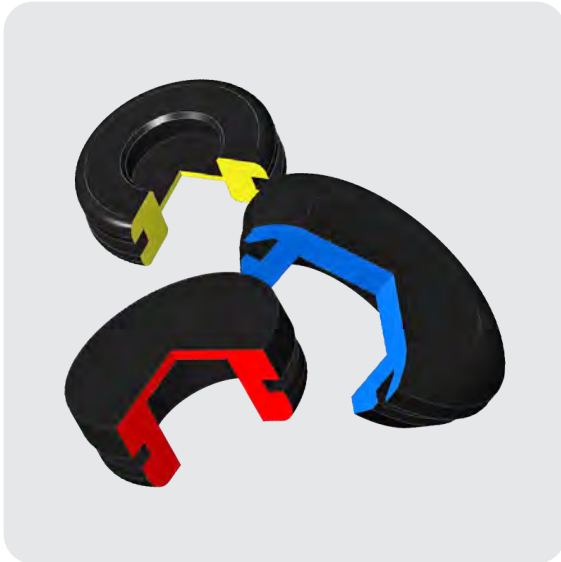
Information:

EB = EPDM, black

General measuring tolerances (DIN ISO 3302, section 2 M2F)
Errors excepted



VERSCHLUSSTÜLLEN - FORM 1 SEALING (BLANKING) PLUG - SHAPE 1



Artikel Nr. Part no.	Nennmaß Nominal size	Loch Ø Panel hole size	Wandstärke Panel thickness	Innen Ø Inner Ø	Gesamt Ø Total Ø	Gesamthöhe Total height	Membran- dicke Membrane thickness	Material Material	
		A	B	Ø D1	Ø D2	H1	M		
1550	M 10	10,5	1 - 2,5	6,0	14,5	7,3	2,0	EB	
1551	M 12	12,5	1 - 2,5	8,0	17,5	7,3	2,0	EB	
1552	M 16	16,5	1 - 2,5	12,0	21,0	7,5	2,0	EB	
1553	M 20	20,5	1 - 2,5	15,5	26,0	7,7	2,5	EB	
1554	M 25	25,5	1 - 2,5	19,5	32,0	7,7	3,0	EB	
1555	M 32	32,5	1 - 2,5	24,5	39,0	7,5	3,0	EB	

Information:

EB = EPDM, schwarz

Toleranzen nach (DIN ISO 3302, Teil 2 M2F)
Irrtum vorbehalten

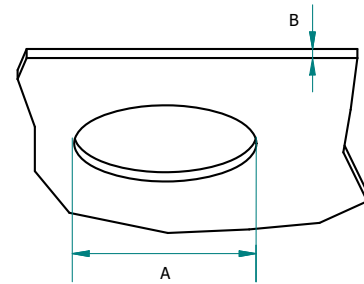
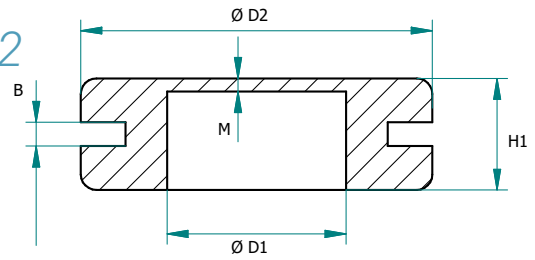
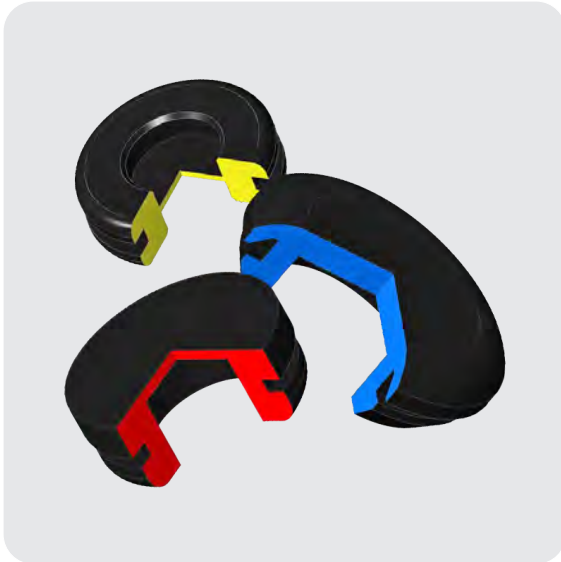
Information:

EB = EPDM, black

General measuring tolerances (DIN ISO 3302, section 2 M2F)
Errors excepted



VERSCHLUSSTÜLLEN - FORM 2
SEALING (BLANKING) PLUG - SHAPE 2



Artikel Nr. Part no.	Nennmaß Nominal size	Loch Ø Panel hole size	Wandstärke Panel thickness	Innen Ø Inner Ø	Gesamt Ø Total Ø	Gesamthöhe Total height	Membrandicke Membrane thickness	Material Material	
		A	B	Ø D1	Ø D2	H1	M		
1018	-	13,8	1,2	9,7	17,5	7,0	0,1	EB	
1052	-	10,0	3,0	5,9	13,0	7,2	0,9	EB	
1061	-	18,2	2,0	13,7	23,7	6,5	0,7	EB	
1070	-	16,0	2,8	12,0	21,0	6,6	1,4	EB	
1074	-	10,0	1,5	7,8	15,0	8,5	2,0	EB	

Information:

EB = EPDM, schwarz

Toleranzen nach (DIN ISO 3302, Teil 2 M2F)
Irrtum vorbehalten

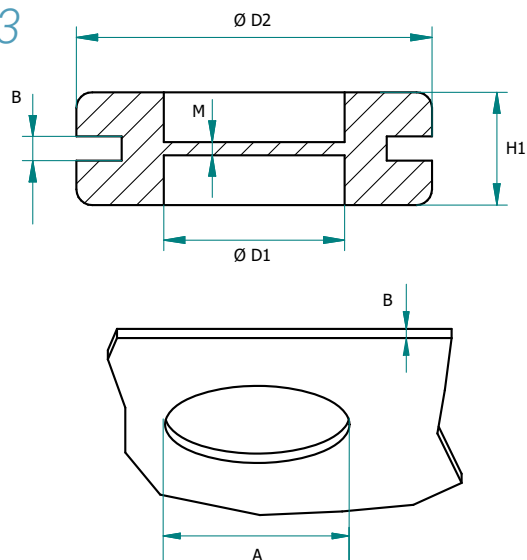
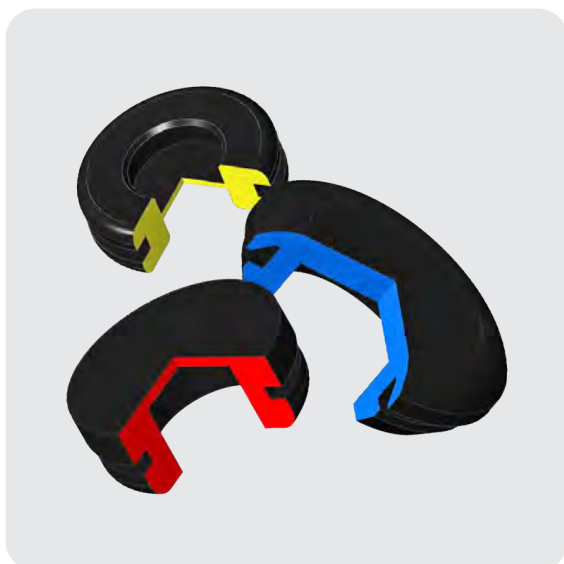
Information:

EB = EPDM, black

General measuring tolerances (DIN ISO 3302, section 2 M2F)
Errors excepted



VERSCHLUSSTÜLLEN - FORM 3 SEALING (BLANKING) PLUG - SHAPE 3



Artikel Nr. Part no.	Nennmaß Nominal size	Loch Ø Panel hole size	Wandstärke Panel thickness	Innen Ø Inner Ø	Gesamt Ø Total Ø	Gesamthöhe Total height	Membrandicke Membrane thickness	Material Material	
		A	B	Ø D1	Ø D2	H1	M		
1032	-	13,7	2,0	8,8	18,8	7,0	1,0	EB	
1034	-	18,5	1,7	11,0	23,0	7,0	0,8	EB	
1042	-	13,0	2,7	9,0	20,8	9,0	0,8	EB	
1060	-	13,0	1,5	9,5	17,3	8,0	0,6	EB	

Information:

EB = EPDM, schwarz

Toleranzen nach (DIN ISO 3302, Teil 2 M2F)
Irrtum vorbehalten

Information:

EB = EPDM, black

General measuring tolerances (DIN ISO 3302, section 2 M2F)
Errors excepted





A. Vogt GmbH & Co. KG

Weberstraße 7

D - 59757 Arnsberg

Germany

Fon +49 (2932) 9636-0

Fax +49 (2932) 9636-60

Mail info@gummivogt.de